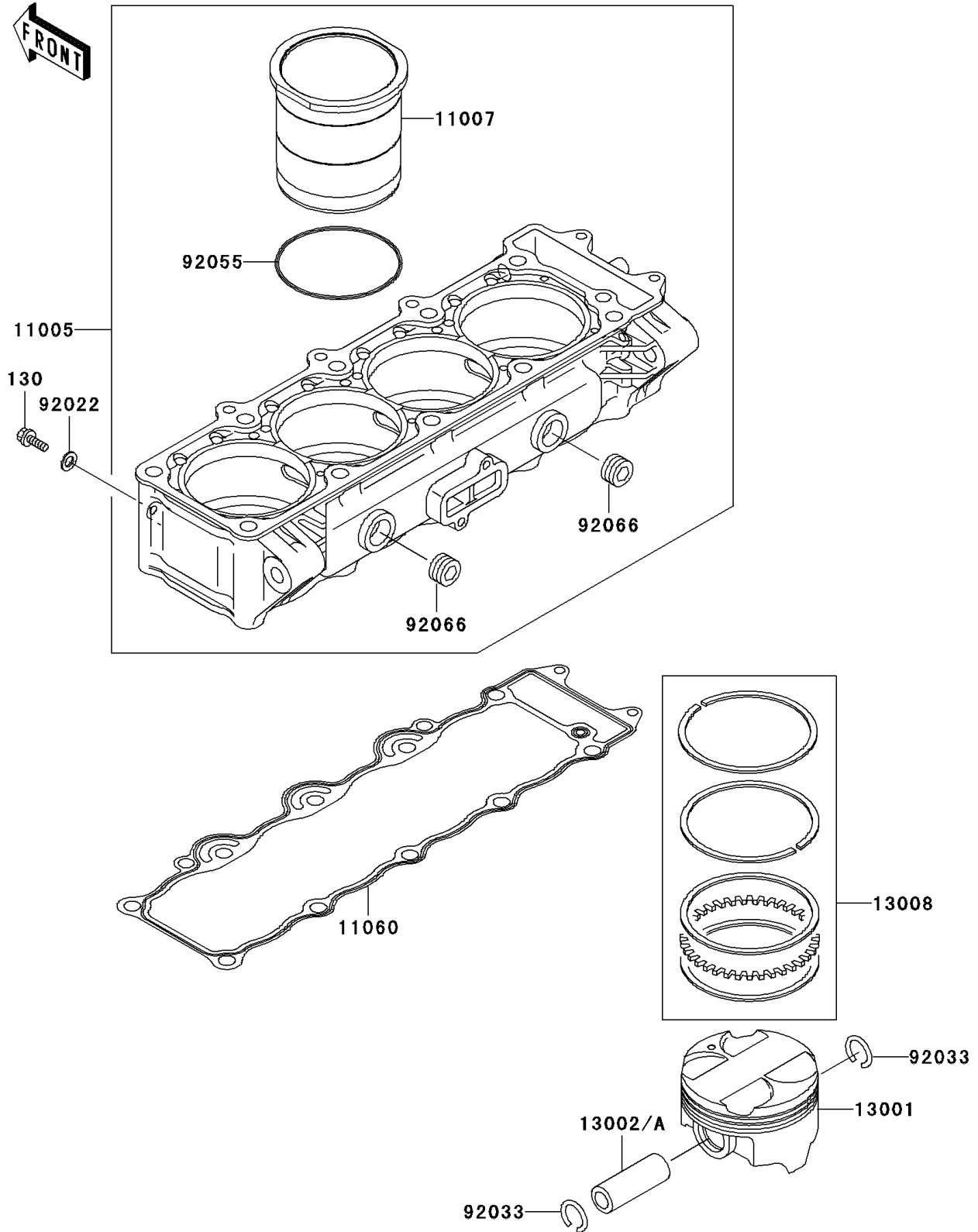


1999 Ninja® ZX™-9R PARTS DIAGRAM

Cylinder/Piston(s)

E1120



1999 Ninja® ZX™-9R PARTS LIST

Cylinder/Piston(s)

ITEM NAME	PART NUMBER	QUANTITY
BOLT-FLANGED (Ref # 130)	130Y0610	1
CYLINDER-ENGINE (Ref # 11005)	11005-1879	1
LINER-CYLINDER (Ref # 11007)	11007-1159	4
GASKET,CYLINDER BASE (Ref # 11060)	11060-1818	1
PISTON-ENGINE (Ref # 13001)	13001-1520	4
PIN-PISTON (Ref # 13002A)	13002-1114	4
RING-SET-PISTON (Ref # 13008)	13008-1181	4
WASHER,6.2X11X1 (Ref # 92022)	92022-304	1
RING-SNAP,20.5X1.2 (Ref # 92033)	92033-1099	8
RING-O,80.9X2.0 (Ref # 92055)	92055-1569	4
PLUG (Ref # 92066)	92066-1253	2