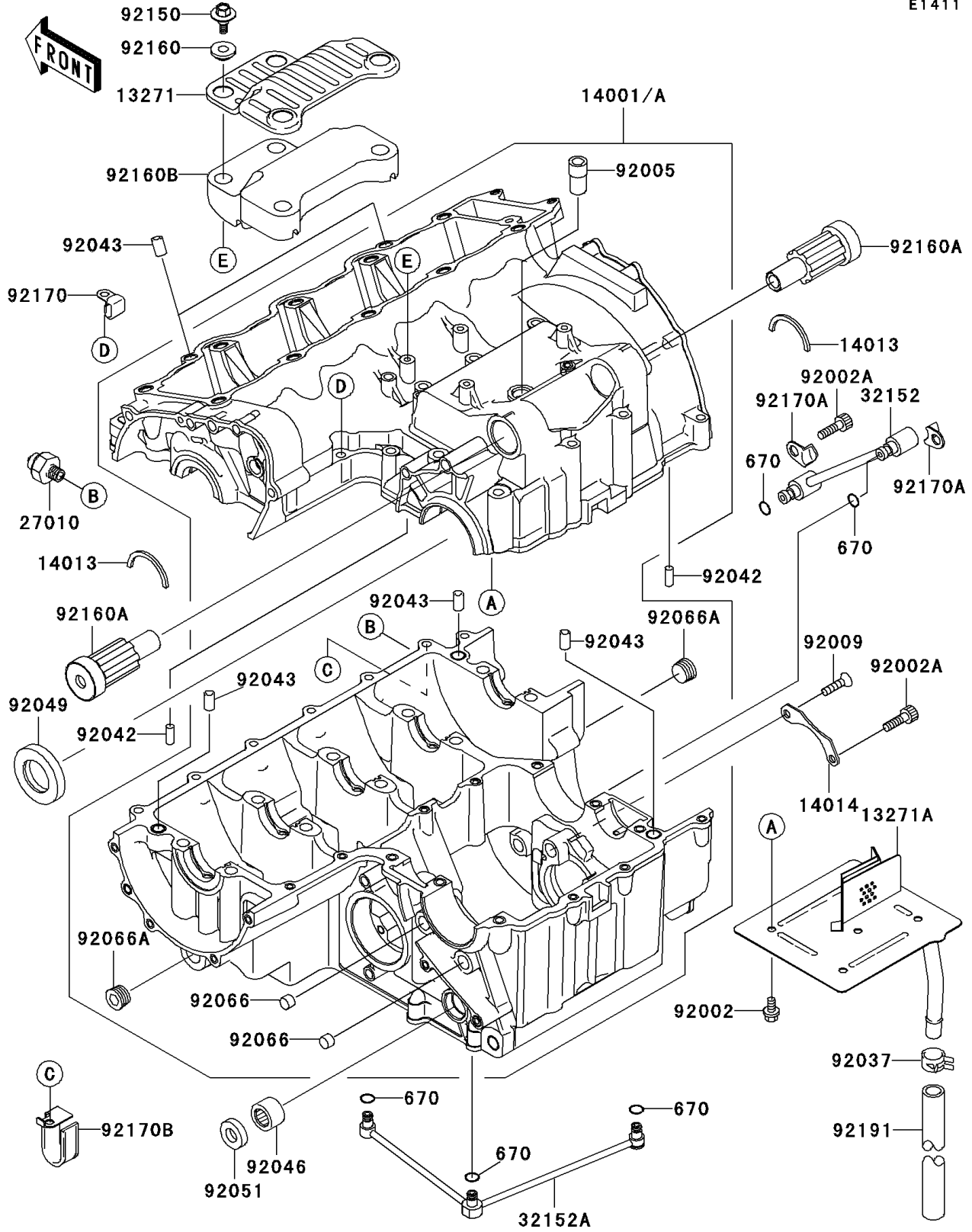


1999 Ninja® ZX™ -9R PARTS DIAGRAM

Crankcase

E1411



1999 Ninja® ZX™-9R PARTS LIST

Crankcase

ITEM NAME	PART NUMBER	QUANTITY
O RING (Ref # 670)	670D1505	5
PLATE (Ref # 13271)	13271-1058	1
PLATE,BREATHER (Ref # 13271A)	13271-1085	1
SET-CRANKCASE (Ref # 14001A)	14001-1258	1
RING-POSITION (Ref # 14013)	14013-1051	2
PLATE-POSITION (Ref # 14014)	14014-1140	1
SWITCH,OIL PRESSURE (Ref # 27010)	27010-1313	1
PIPE,RH,L=76.8 (Ref # 32152)	32152-1545	1
PIPE,L=137.2 (Ref # 32152A)	32152-1546	1
BOLT,6X10 (Ref # 92002)	92002-1449	5
BOLT,SOCKET,6X16 (Ref # 92002A)	92002-1778	3
FITTING,BREATHER (Ref # 92005)	92005-1238	1
SCREW,6X16 (Ref # 92009)	92009-1360	1
CLAMP (Ref # 92037)	92037-1181	1
PIN,DOWEL,6X16 (Ref # 92042)	92042-016	2
PIN,DOWEL,10X14 (Ref # 92043)	92043-1037	5
BEARING-NEEDLE,HK1312 (Ref # 92046)	92046-1148	1
SEAL-OIL,TC32578 (Ref # 92049)	92049-1474	1
SEAL-OIL,TB13225.5 (Ref # 92051)	92051-005	1
PLUG (Ref # 92066)	92066-1110	2
PLUG (Ref # 92066A)	92066-1262	2
BOLT (Ref # 92150)	92150-1981	4
DAMPER (Ref # 92160)	92160-1681	4
DAMPER (Ref # 92160A)	92160-1868	2
DAMPER (Ref # 92160B)	92160-1925	1
CLAMP (Ref # 92170)	92170-1577	1
CLAMP (Ref # 92170A)	92170-1578	2
CLAMP (Ref # 92170B)	92170-1911	1
TUBE,BREATHER (Ref # 92191)	92191-1167	1