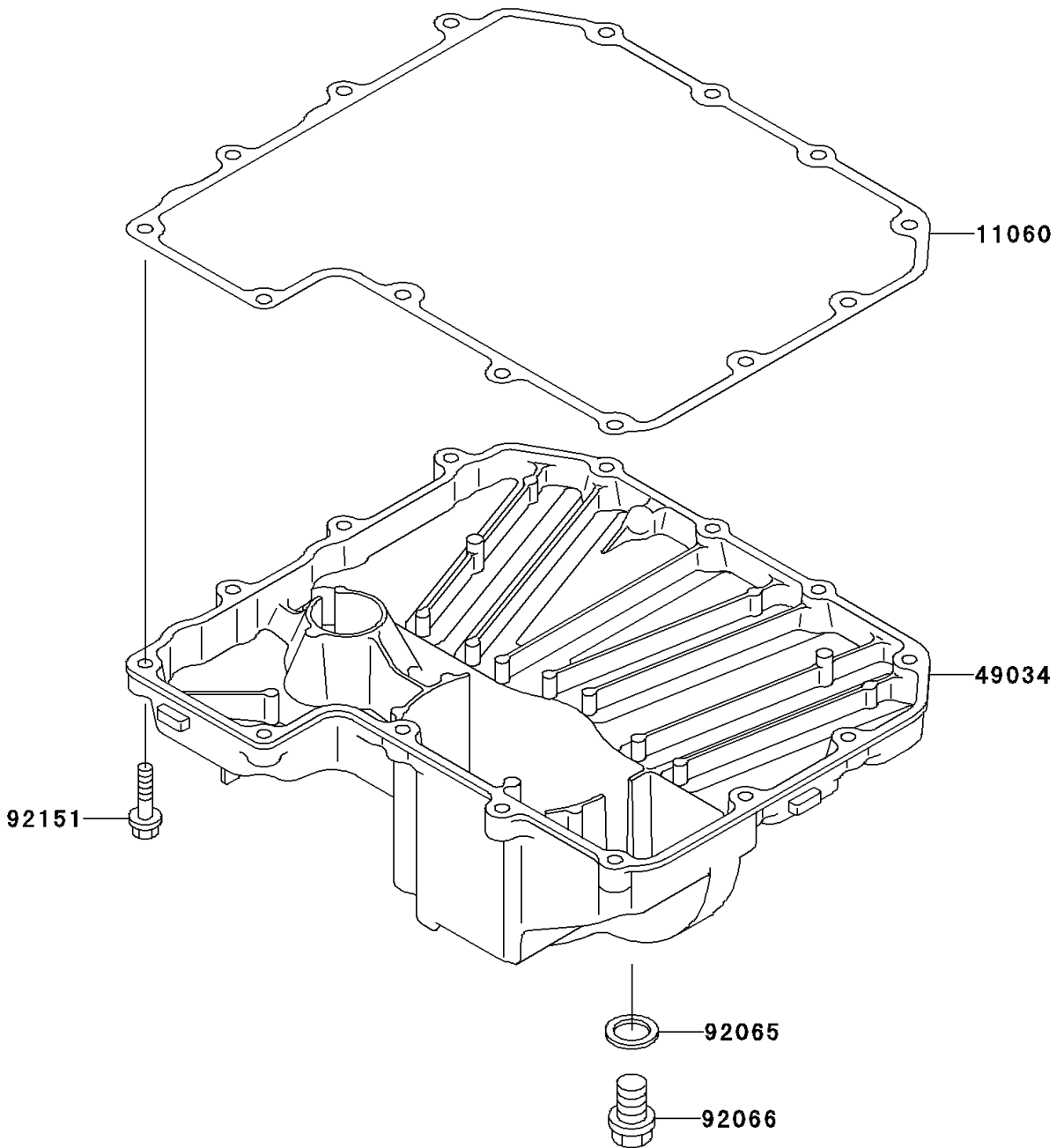


# 1999 Ninja<sup>®</sup> ZX<sup>™</sup>-9R PARTS DIAGRAM

Oil Pan

E1434



# 1999 Ninja® ZX™-9R PARTS LIST

## Oil Pan

ITEM NAME	PART NUMBER	QUANTITY
GASKET,OIL PAN (Ref # 11060)	11060-1819	1
PAN-OIL (Ref # 49034)	49034-1128	1
GASKET,12X22X2,DRAIN PLUG (Ref # 92065)	92065-097	1
PLUG,OIL DRAIN,12X15 (Ref # 92066)	92066-1174	1
BOLT,6X25 (Ref # 92151)	92151-1225	14