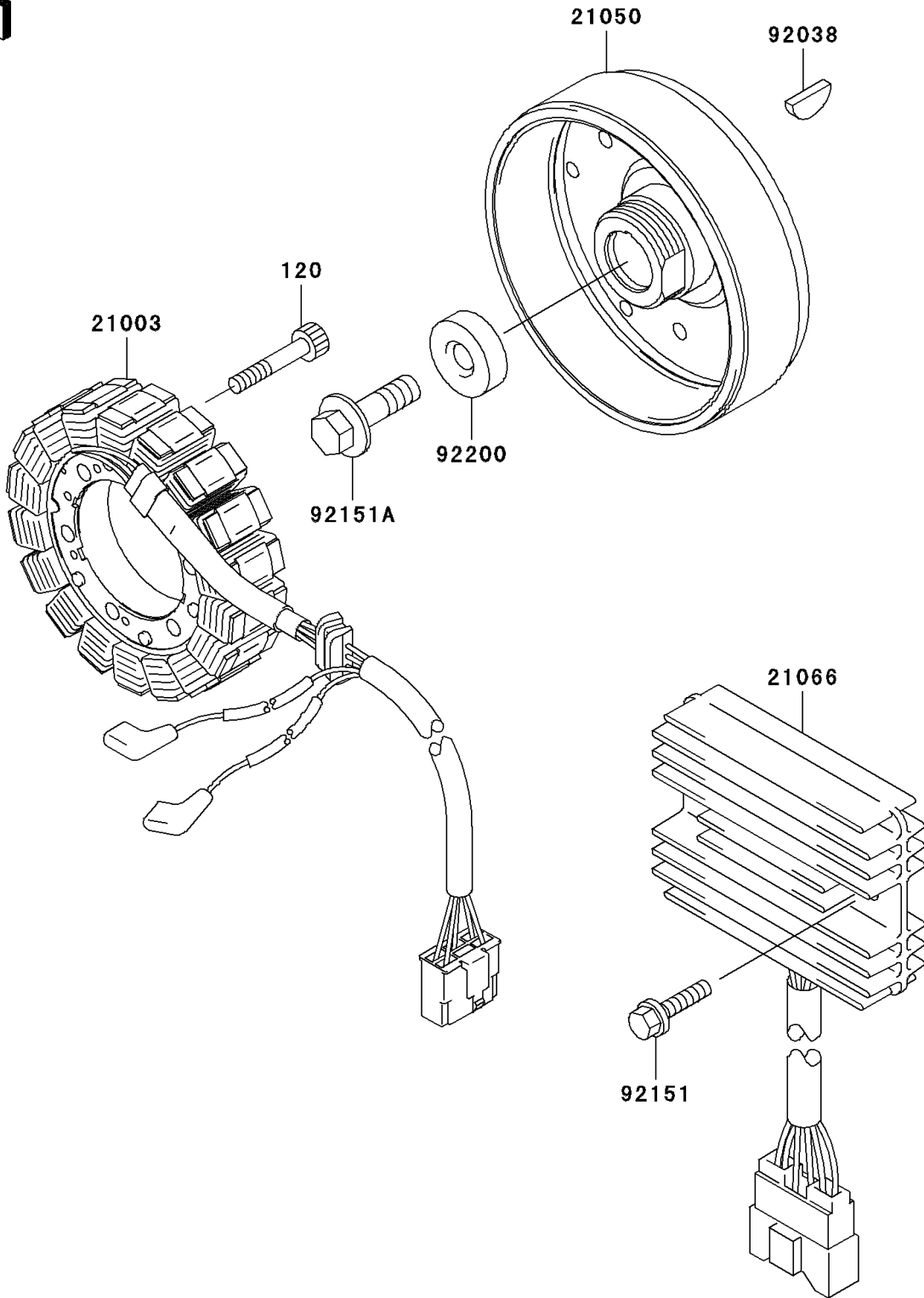


1999 Ninja® ZX™-9R PARTS DIAGRAM

Generator

E1810



1999 Ninja® ZX™-9R PARTS LIST

Generator

| ITEM NAME | PART NUMBER | QUANTITY |
|---------------------------------|-------------|----------|
| BOLT-SOCKET,6X35 (Ref # 120) | 120P0635 | 4 |
| STATOR (Ref # 21003) | 21003-1320 | 1 |
| FLYWHEEL (Ref # 21050) | 21050-1175 | 1 |
| REGULATOR-VOLTAGE (Ref # 21066) | 21066-1109 | 1 |
| KEY (Ref # 92038) | 92038-1060 | 1 |
| BOLT,6X25 (Ref # 92151) | 92151-1225 | 2 |
| BOLT,FLYWHEEL (Ref # 92151A) | 92151-1230 | 1 |
| WASHER (Ref # 92200) | 92200-1241 | 1 |