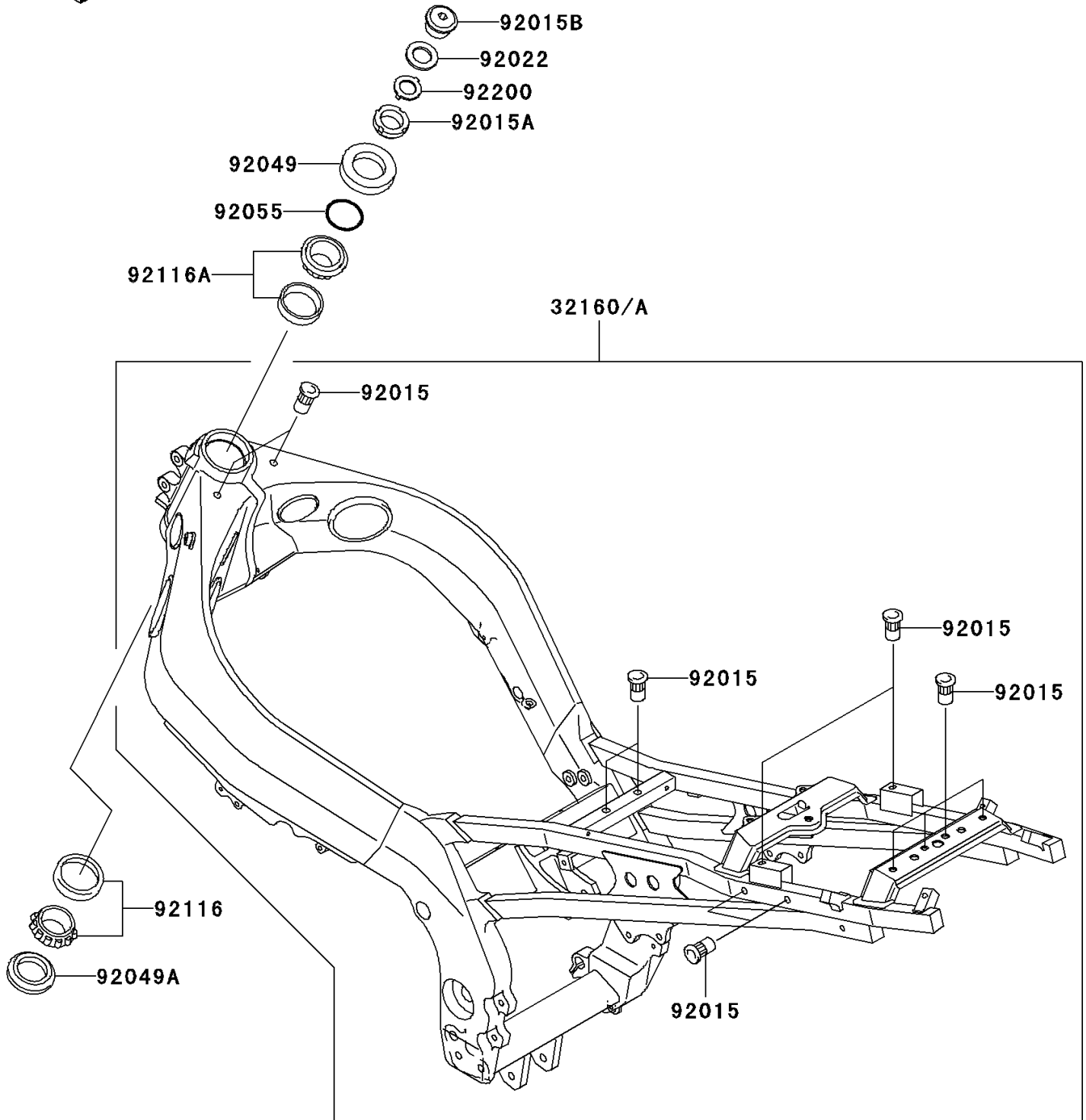


1999 Ninja® ZX™-9R PARTS DIAGRAM

Frame

F2120



1999 Ninja® ZX™-9R PARTS LIST

Frame

ITEM NAME	PART NUMBER	QUANTITY
FRAME-COMP,AL,SILVER (Ref # 32160A)	32160-1585-TX	1
NUT,POP,6MM,L=15 (Ref # 92015)	92015-1791	12
NUT,STEERING STEM,35MM (Ref # 92015A)	92015-1848	1
NUT,STEERING,25MM (Ref # 92015B)	92015-1891	1
WASHER,25X36X2.3 (Ref # 92022)	92022-250	1
SEAL-OIL,XMH 43 75 6.4J (Ref # 92049)	92049-1382	1
SEAL-OIL,XMHE 43 55 4J (Ref # 92049A)	92049-1383	1
RING-O,34.5X2.0 (Ref # 92055)	92055-1452	1
BEARING-ROLLER,32907JR-2 (Ref # 92116)	92116-1072	1
BEARING-ROLLER,32907JR-3 (Ref # 92116A)	92116-1074	1
WASHER,CLAW,25.5X40X2.3 (Ref # 92200)	92200-1083	1