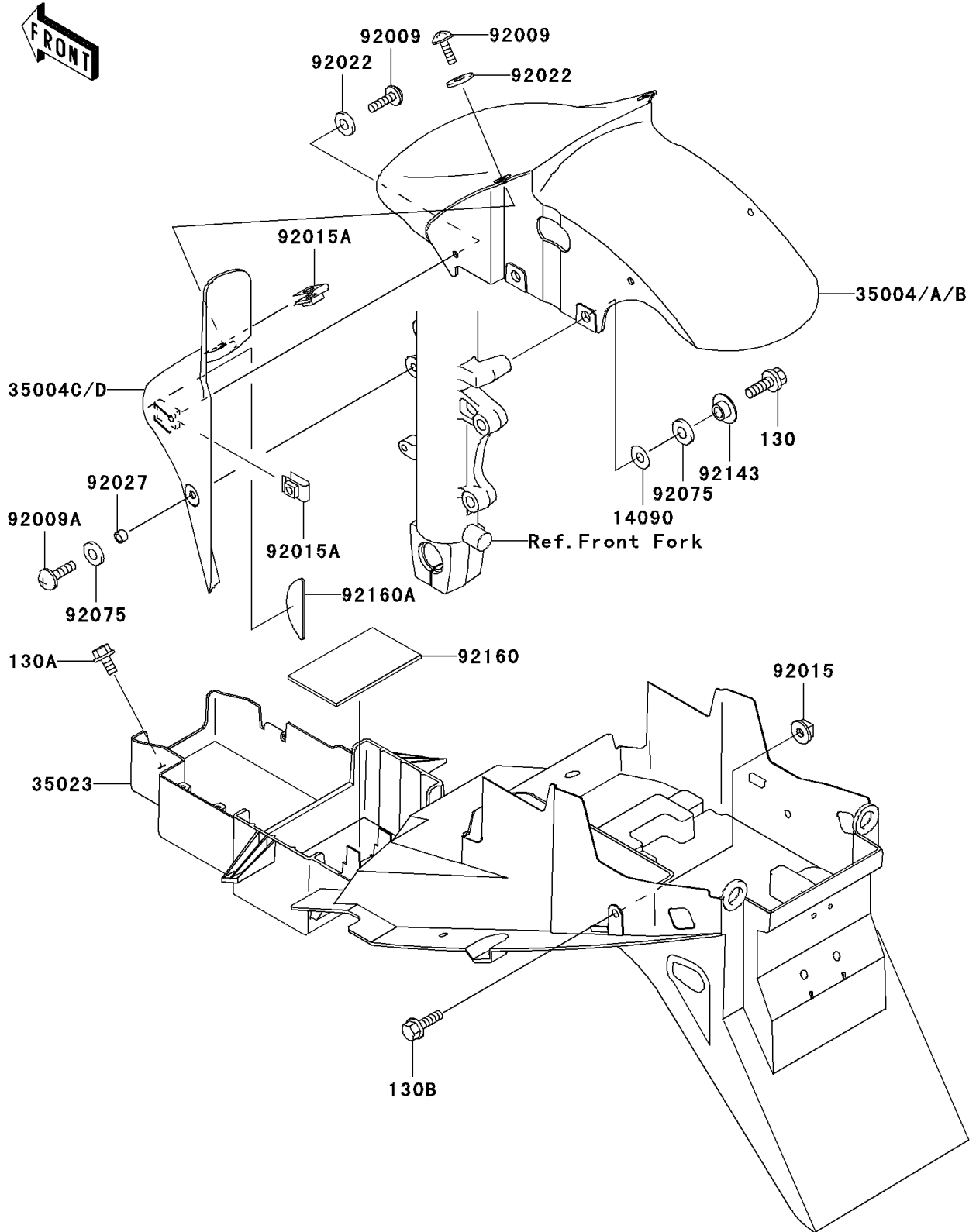


# 1999 Ninja<sup>®</sup> ZX<sup>™</sup>-9R PARTS DIAGRAM

Fenders

F2170



# 1999 Ninja® ZX™-9R PARTS LIST

## Fenders

ITEM NAME	PART NUMBER	QUANTITY
BOLT-FLANGED,6X16 (Ref # 130)	130H0616	4
BOLT-FLANGED (Ref # 130A)	130J0612	1
BOLT-FLANGED,6X35 (Ref # 130B)	130J0635	2
COVER (Ref # 14090)	14090-1505	4
FENDER-FRONT,CNT,C.L.BLUE (Ref # 35004A)	35004-1361-E1	1
FENDER-FRONT,CNT,L.GREEN (Ref # 35004B)	35004-1361-7F	1
FENDER-FRONT,SIDE,LH,GRAY (Ref # 35004C)	35004-1390-E4	1
FENDER-FRONT,SIDE,RH,GRAY (Ref # 35004D)	35004-1391-E4	1
FENDER-REAR (Ref # 35023)	35023-1476	1
SCREW,5X16 (Ref # 92009)	92009-1654	4
SCREW,6X14 (Ref # 92009A)	92009-1662	2
NUT,6MM (Ref # 92015)	92015-1321	2
NUT,5MM (Ref # 92015A)	92015-1573	4
WASHER,NYLON,5.3X11.5X1.5 (Ref # 92022)	92022-1521	4
COLLAR,6.8X10X6 (Ref # 92027)	92027-103	2
DAMPER (Ref # 92075)	92075-1564	6
COLLAR,L=7.4 (Ref # 92143)	92143-1019	4
DAMPER,BATTERY (Ref # 92160)	92160-1284	1
DAMPER (Ref # 92160A)	92160-1961	2
FENDER-FRONT,CNT,C.P.RED (Ref # 35004)	35004-1361-A5	1