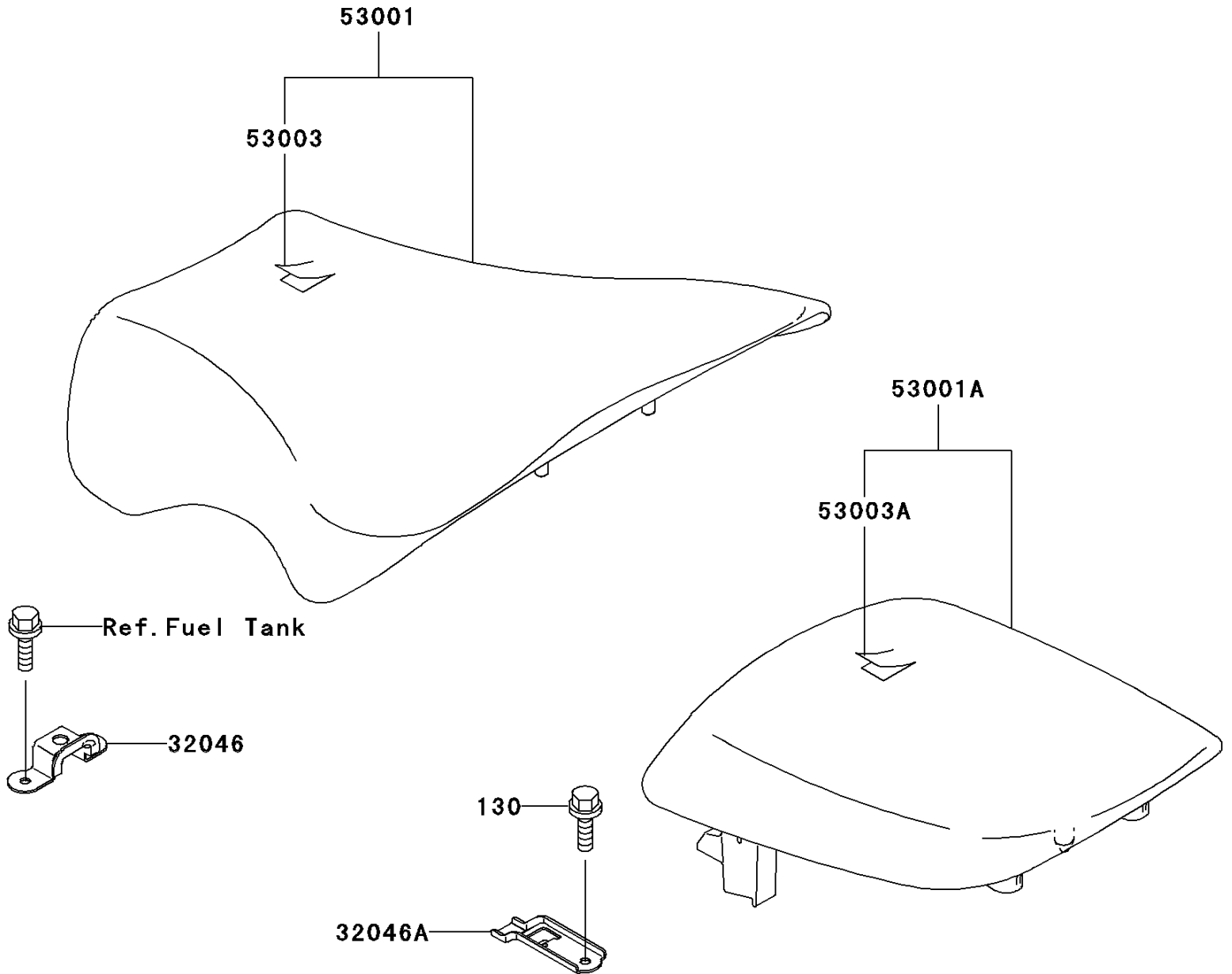


# 1999 Ninja® ZX™-9R PARTS DIAGRAM

Seat

F2510



# 1999 Ninja® ZX™-9R PARTS LIST

## Seat

ITEM NAME	PART NUMBER	QUANTITY
BOLT-FLANGED (Ref # 130)	130J0610	1
BRACKET-SEAT,FR (Ref # 32046)	32046-1436	1
BRACKET-SEAT,RR (Ref # 32046A)	32046-1437	1
SEAT-ASSY,FR,BLACK (Ref # 53001)	53001-1852-MA	1
SEAT-ASSY,RR,BLACK (Ref # 53001A)	53001-1853-MA	1
LEATHER,FRONT SEAT,BLACK (Ref # 53003)	53003-1400-MA	1
LEATHER,REAR SEAT,BLACK (Ref # 53003A)	53003-1401-MA	1