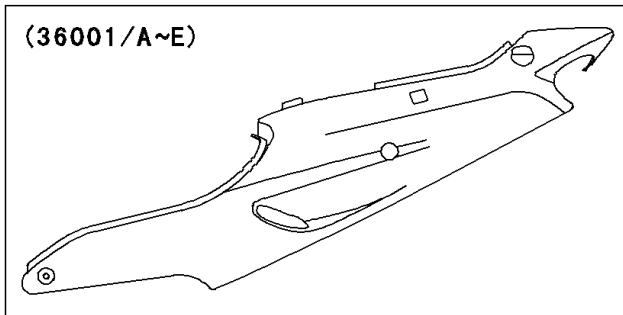
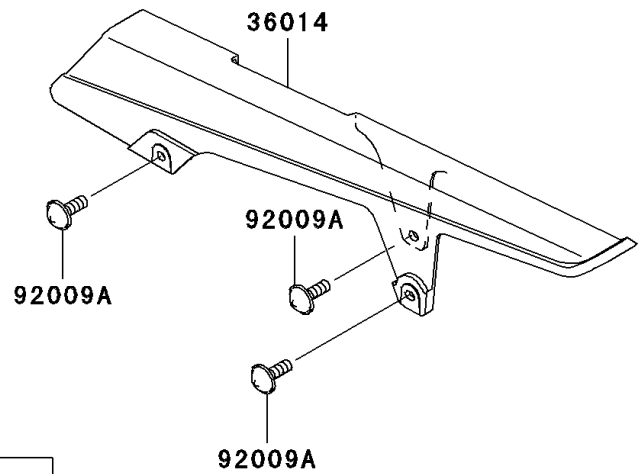
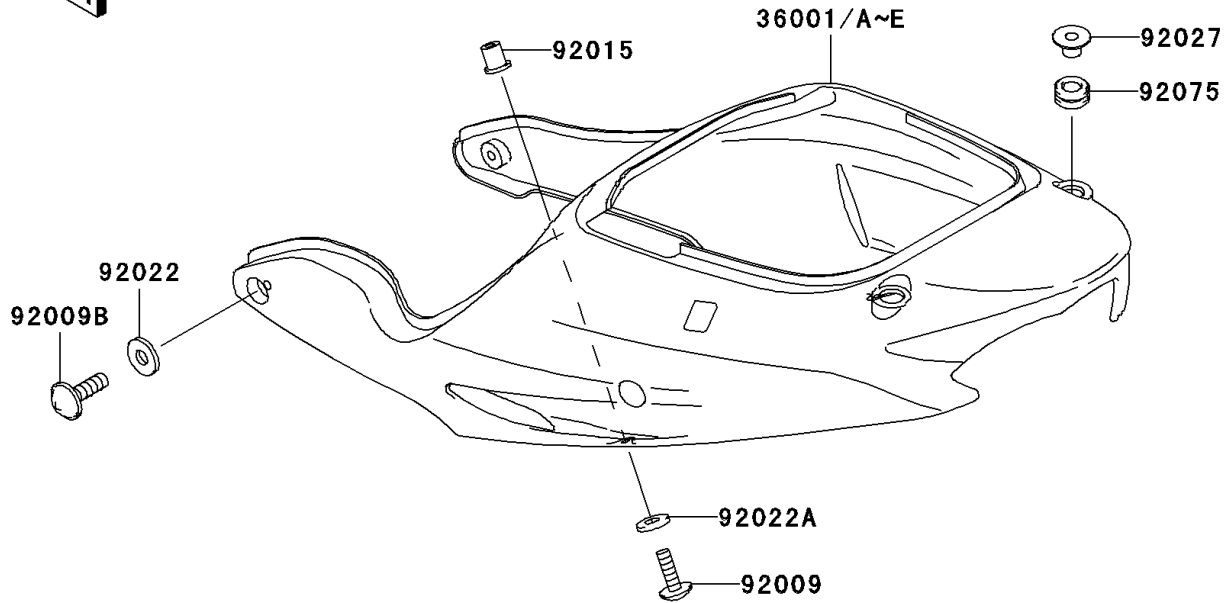


# 1999 Ninja® ZX™-9R PARTS DIAGRAM

Side Covers/Chain Cover

F2610



## 1999 Ninja® ZX™-9R PARTS LIST

### Side Covers/Chain Cover

ITEM NAME	PART NUMBER	QUANTITY
COVER-SIDE,C.L.BLUE (Ref # 36001D)	36001-1631-E1	1
COVER-SIDE,L.GREEN (Ref # 36001E)	36001-1631-7F	1
CASE-CHAIN (Ref # 36014)	36014-1222	1
SCREW,5X18 (Ref # 92009)	92009-1655	2
SCREW,6X10 (Ref # 92009A)	92009-1661	3
SCREW,6X14 (Ref # 92009B)	92009-1662	2
NUT,WELL,5MM (Ref # 92015)	92015-1757	2
WASHER,6.5X16X1 (Ref # 92022)	92022-1143	2
WASHER,NYLON,5.3X11.5X1.5 (Ref # 92022A)	92022-1521	2
COLLAR (Ref # 92027)	92027-4015	2
DAMPER (Ref # 92075)	92075-1898	2
COVER-SIDE,C.P.RED (Ref # 36001C)	36001-1631-A5	1