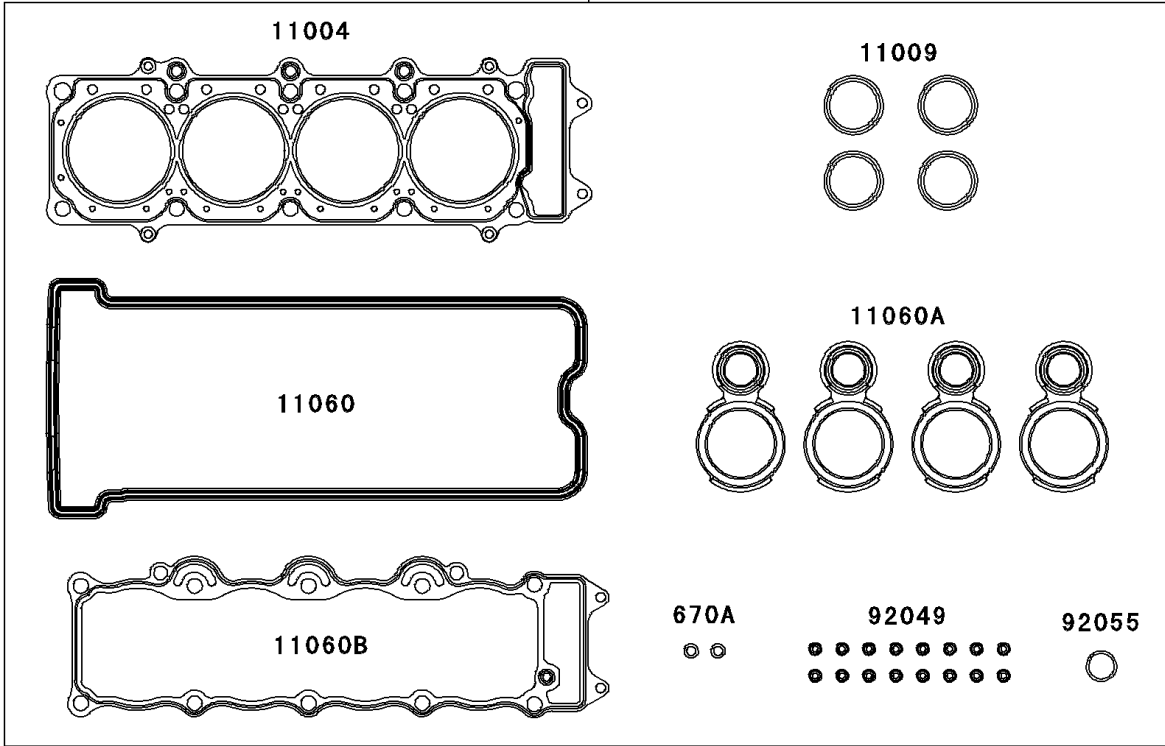


1999 Ninja® ZX™-9R PARTS DIAGRAM

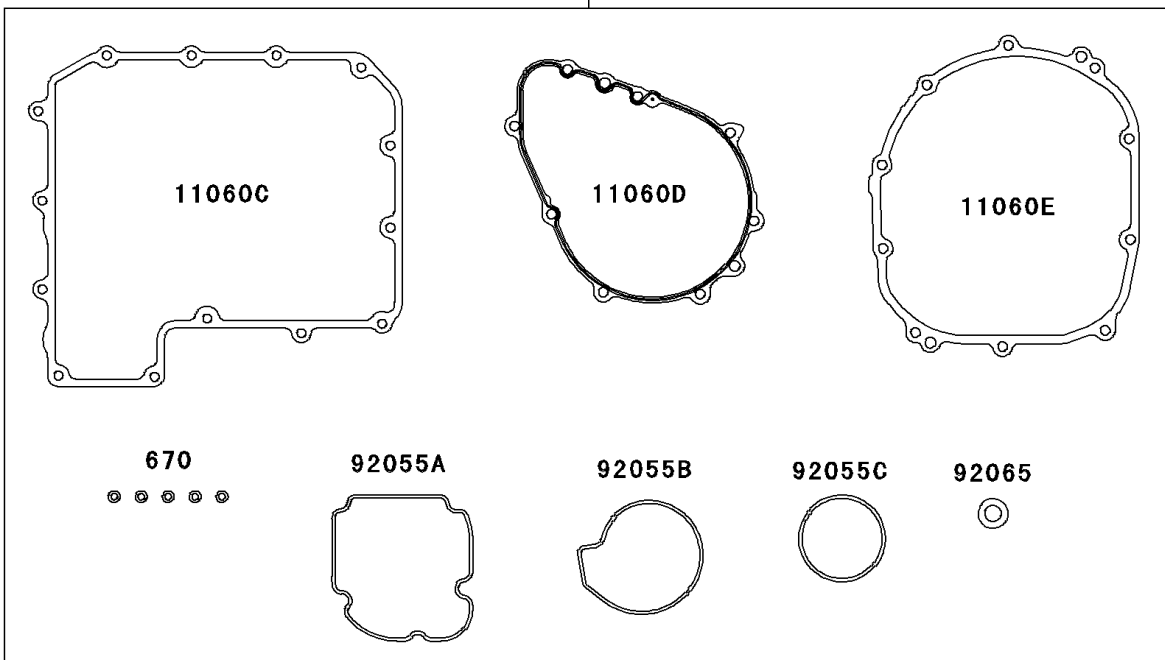
Gasket Kit

99996

F2885



99996A



1999 Ninja® ZX™-9R PARTS LIST

Gasket Kit

| ITEM NAME | PART NUMBER | QUANTITY |
|---|-------------|----------|
| O RING (Ref # 670) | 670D1505 | AR |
| O RING,7MM (Ref # 670A) | 670D1507 | AR |
| GASKET-HEAD (Ref # 11004) | 11004-1327 | AR |
| GASKET,EXHAUST PIPE HOLDER (Ref # 11009) | 11009-1856 | AR |
| GASKET,HEAD COVER (Ref # 11060) | 11060-1816 | AR |
| GASKET,SPARK PLUG (Ref # 11060A) | 11060-1817 | AR |
| GASKET,CYLINDER BASE (Ref # 11060B) | 11060-1818 | AR |
| GASKET,OIL PAN (Ref # 11060C) | 11060-1819 | AR |
| GASKET,GENERATOR COVER (Ref # 11060D) | 11060-1854 | AR |
| GASKET,CLUTCH COVER (Ref # 11060E) | 11060-1855 | AR |
| SEAL-OIL (Ref # 92049) | 92049-1349 | AR |
| RING-O (Ref # 92055) | 92055-086 | AR |
| RING-O,PULSE COVER (Ref # 92055A) | 92055-1570 | AR |
| RING-O,WATER PUMP COVER (Ref # 92055B) | 92055-1571 | AR |
| RING-O (Ref # 92055C) | 92055-3018 | AR |
| GASKET,12X22X2,DRAIN PLUG (Ref # 92065) | 92065-097 | AR |
| KIT,GASKET TOP END,ZX900C (Ref # 99996) | 99996-1276 | AR |
| KIT,GASKET BOTTOM END,ZX900C (Ref # 99996A) | 99996-1277 | AR |