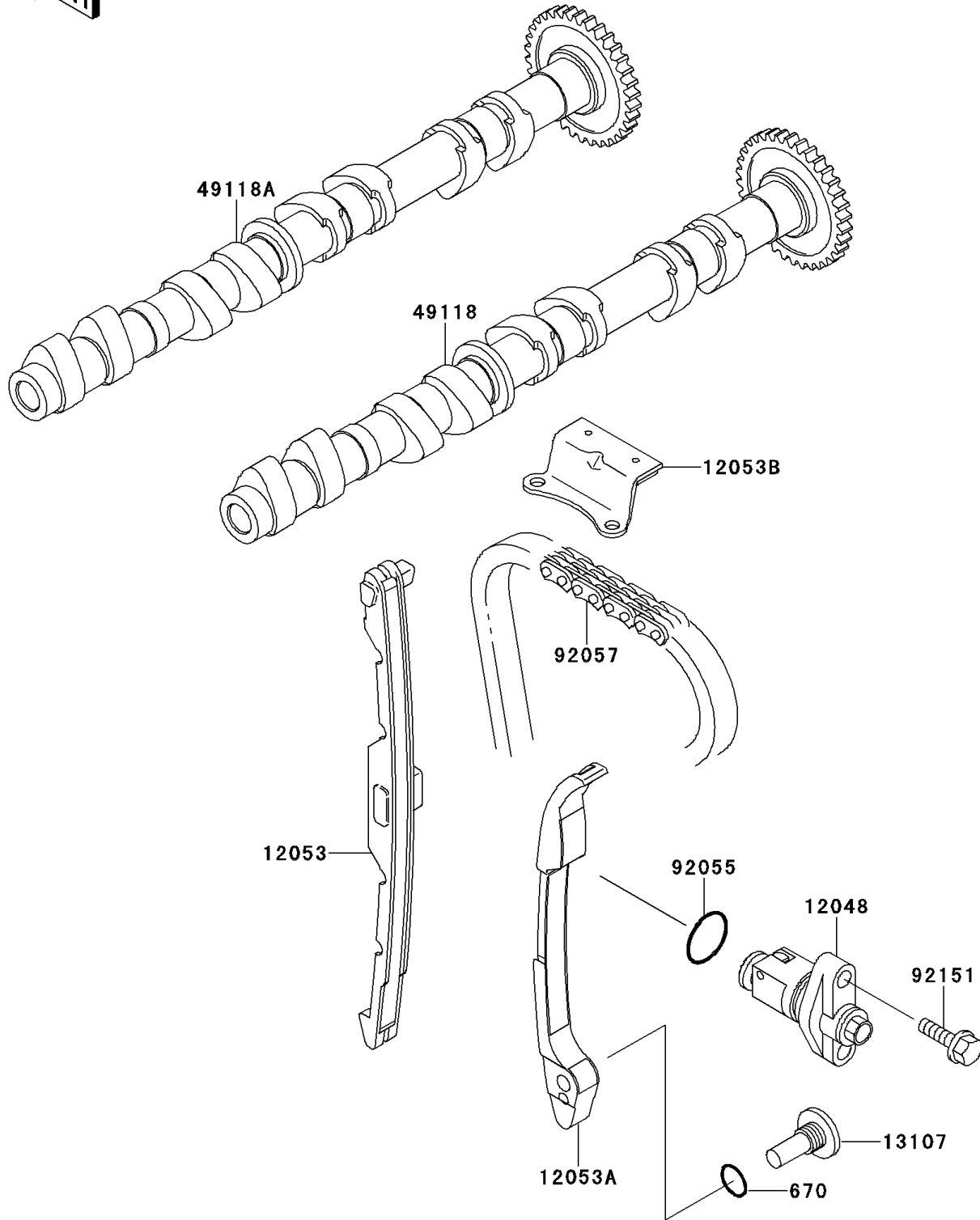


# 2000 Ninja® ZX™-9R PARTS DIAGRAM

Camshaft(s)/Tensioner

E1230



## 2000 Ninja® ZX™-9R PARTS LIST

### Camshaft(s)/Tensioner

ITEM NAME	PART NUMBER	QUANTITY
O RING,14MM (Ref # 670)	670D2014	1
TENSIONER-ASSY (Ref # 12048)	12048-1143	1
GUIDE-CHAIN,FR (Ref # 12053)	12053-1398	1
GUIDE-CHAIN,RR (Ref # 12053A)	12053-1399	1
GUIDE-CHAIN,UPP (Ref # 12053B)	12053-1445	1
SHAFT (Ref # 13107)	13107-1376	1
CAMSHAFT-COMP,INTAKE (Ref # 49118)	49118-1195	1
CAMSHAFT-COMP,EXHAUST (Ref # 49118A)	49118-1196	1
RING-O (Ref # 92055)	92055-086	1
CHAIN,CAM,92RH2015-126M (Ref # 92057)	92057-1453	1
BOLT,6X25 (Ref # 92151)	92151-1130	2