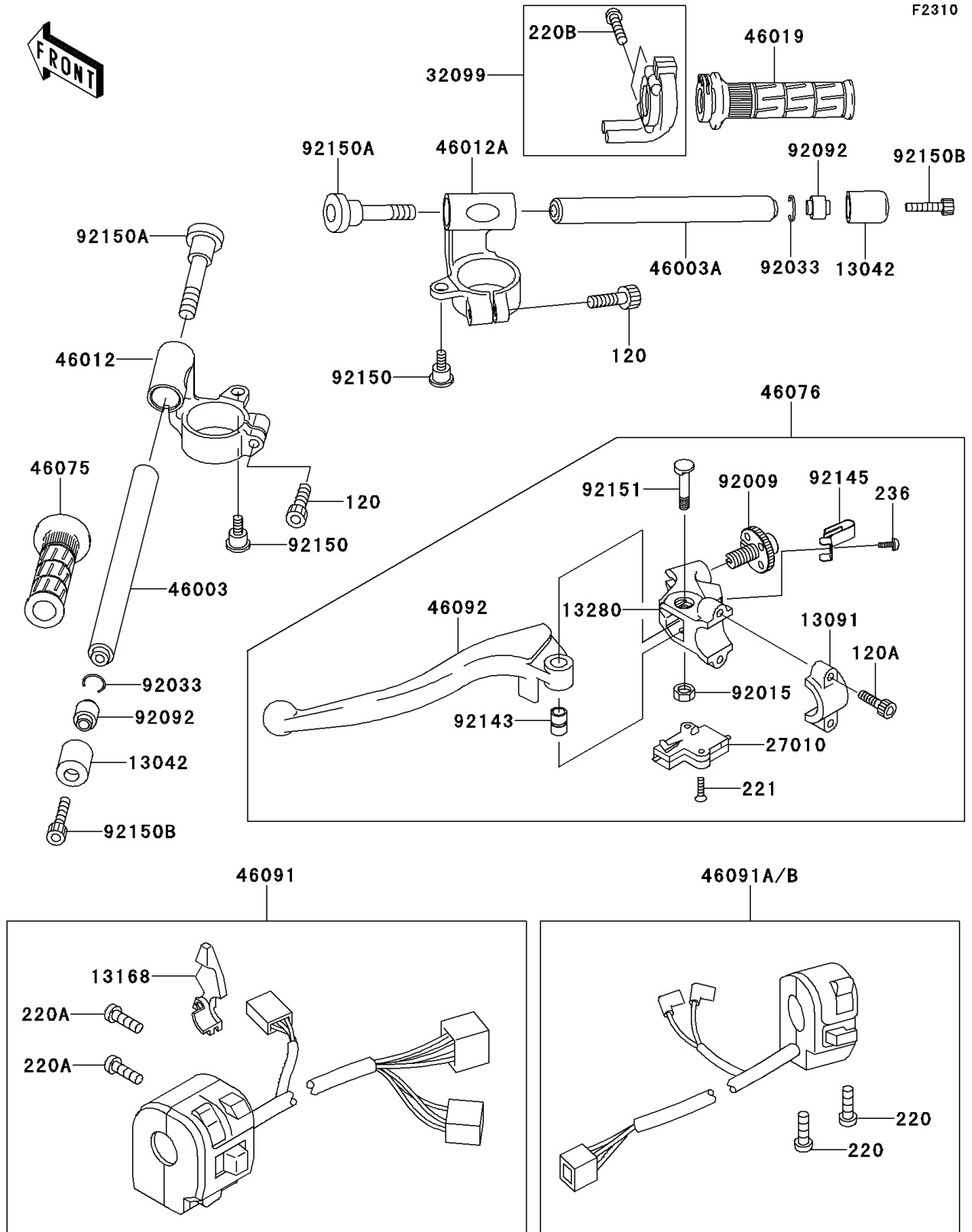


# 2001 Ninja® ZX™-9R PARTS DIAGRAM

Handlebar



## 2001 Ninja® ZX™-9R PARTS LIST

### Handlebar

ITEM NAME	PART NUMBER	QUANTITY
BOLT-SOCKET,8X30 (Ref # 120)	120P0830	2
BOLT-SOCKET,6X20 (Ref # 120A)	120S0620	2
SCREW-PAN-CROS (Ref # 220)	220C0522	2
SCREW-PAN-CROS (Ref # 220A)	220C0525	2
SCREW-PAN-CROS (Ref # 220B)	220C0535	2
SCREW-CSK-CROS (Ref # 221)	221C0316	2
SCREW-PAN-WSP-CROS,4X10 (Ref # 236)	236C0410	1
WEIGHT,HANDLE (Ref # 13042)	13042-1133	2
HOLDER,CLUTCH LEVER (Ref # 13091)	13091-1624	1
LEVER,CHOKE (Ref # 13168)	13168-1516	1
HOLDER,CLUTCH LEVER (Ref # 13280)	13280-1160	1
SWITCH,CLUTCH,BLACK (Ref # 27010)	27010-1094	1
CASE,THROTTLE CABLE (Ref # 32099)	32099-1193	1
HANDLE,LH (Ref # 46003)	46003-1523	1
HANDLE,RH (Ref # 46003A)	46003-1525	1
HOLDER-HANDLE,LH (Ref # 46012)	46012-1298	1
HOLDER-HANDLE,RH (Ref # 46012A)	46012-1299	1
GRIP-ASSY,THROTTLE (Ref # 46019)	46019-1095	1
GRIP,LH (Ref # 46075)	46075-1144	1
LEVER-ASSY-GRIP,CLUTCH (Ref # 46076)	46076-1228	1
HOUSING-ASSY-CONTROL,LH (Ref # 46091)	46091-1716	1
HOUSING-ASSY-CONTROL,RH (Ref # 46091B)	46091-1823	1
LEVER-GRIP,CLUTCH (Ref # 46092)	46092-1211	1
SCREW (Ref # 92009)	92009-1910	1
NUT,LOCK,6MM,BLACK (Ref # 92015)	92015-1191	1
RING-SNAP,OD=22.2 (Ref # 92033)	92033-1102	2
BUSHING-RUBBER,HANDLE (Ref # 92092)	92092-1075	2
COLLAR (Ref # 92143)	92143-1351	1
SPRING (Ref # 92145)	92145-1286	1

## 2001 Ninja® ZX™-9R PARTS LIST

### Handlebar

ITEM NAME	PART NUMBER	QUANTITY
BOLT,6MM (Ref # 92150)	92150-1090	2
BOLT,SOCKET,10X37 (Ref # 92150A)	92150-1469	2
BOLT,SOCKET,8X30 (Ref # 92150B)	92150-1604	2
BOLT (Ref # 92151)	92151-1523	1