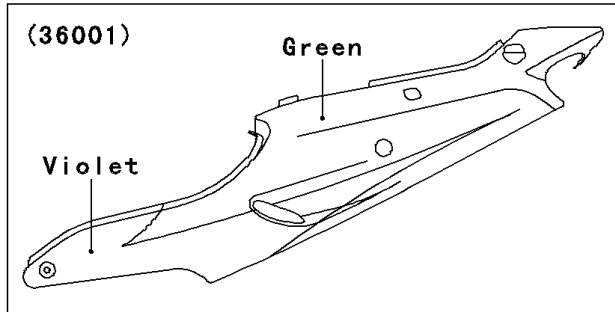
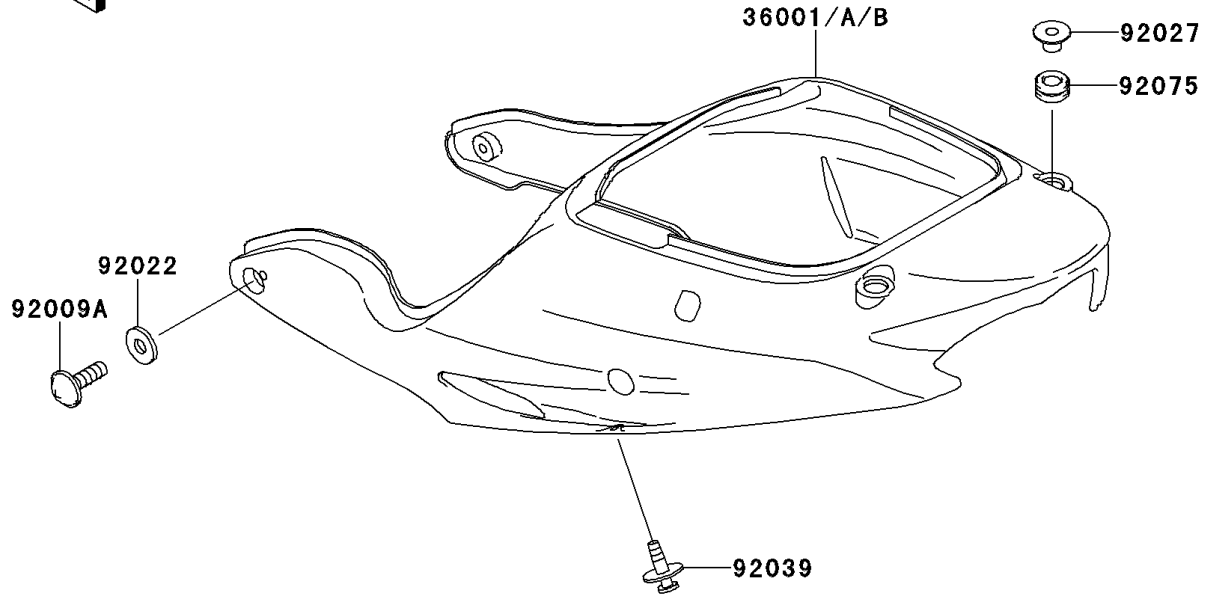


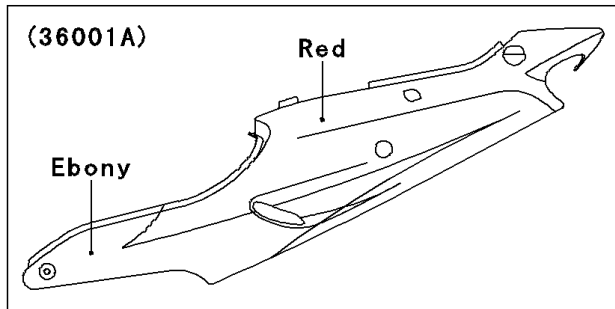
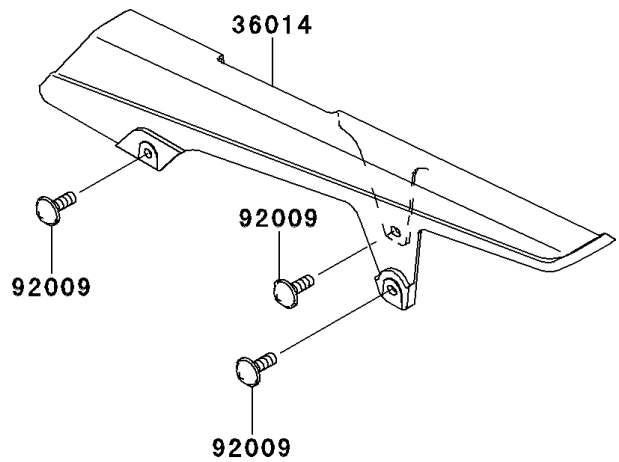
2000 Ninja® ZX™-9R PARTS DIAGRAM

Side Covers/Chain Cover(ZX900-E1)

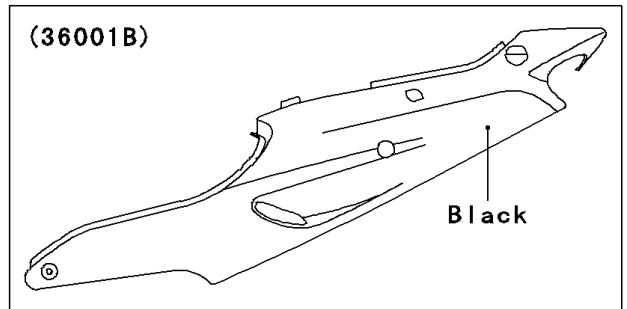
F2610



WOD



WOD



WOD

2000 Ninja® ZX™-9R PARTS LIST

Side Covers/Chain Cover(ZX900-E1)

ITEM NAME	PART NUMBER	QUANTITY
COVER-SIDE, GREEN/VIOLET (Ref # 36001)	36001-1631-G9	1
COVER-SIDE, P.P. BLACK MICA (Ref # 36001B)	36001-1631-20	1
CASE-CHAIN (Ref # 36014)	36014-1222	1
SCREW, 6X10 (Ref # 92009)	92009-1661	3
SCREW, 6X14 (Ref # 92009A)	92009-1662	2
WASHER, 6.5X16X1 (Ref # 92022)	92022-1143	2
COLLAR (Ref # 92027)	92027-4015	2
RIVET (Ref # 92039)	92039-1227	2
DAMPER (Ref # 92075)	92075-1898	2
COVER-SIDE, EBONY/RED (Ref # 36001A)	36001-1631-J3	1