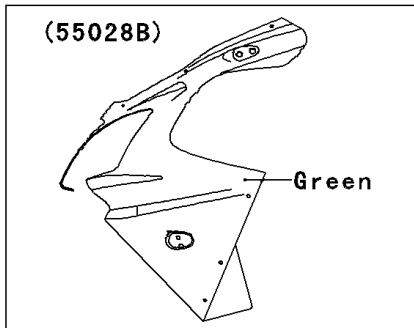
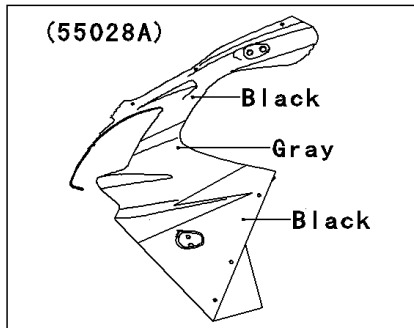
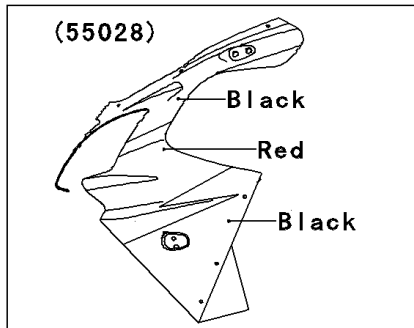
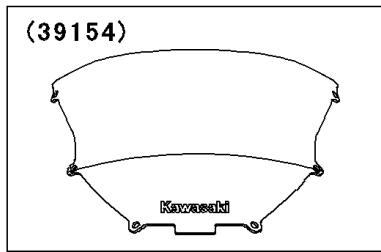
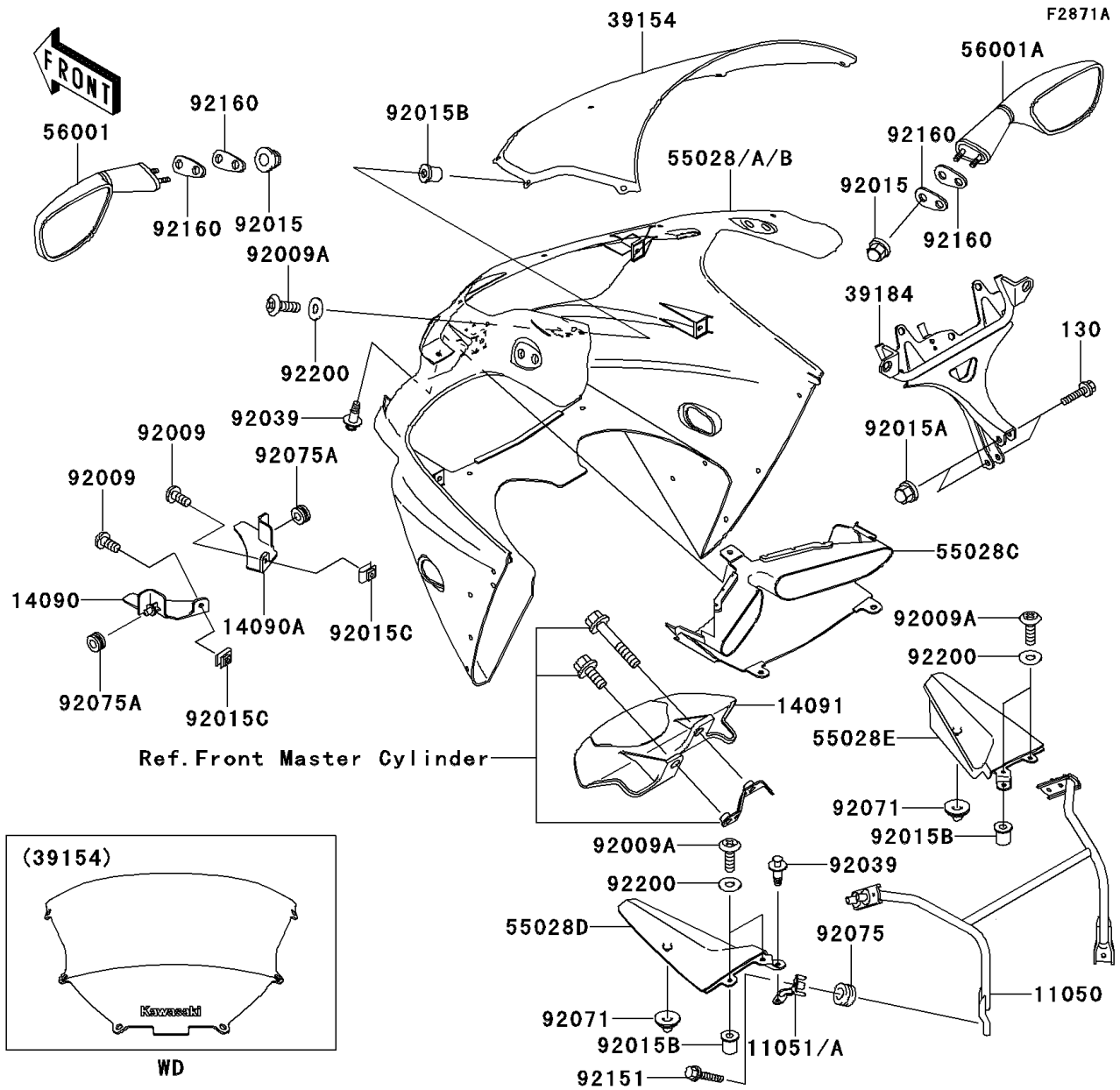


2001 Ninja® ZX™-9R PARTS DIAGRAM

Cowling(ZX900-E2)



2001 Ninja® ZX™-9R PARTS LIST

Cowling(ZX900-E2)

ITEM NAME	PART NUMBER	QUANTITY
BOLT-FLANGED,8X30 (Ref # 130)	130J0830	2
BRACKET,MIRROR (Ref # 11050)	11050-1439	1
BRACKET,INNER COWLING (Ref # 11051)	11051-1818	1
BRACKET,INNER COWLING (Ref # 11051A)	11051-1820	1
COVER,RADIATOR,LH (Ref # 14090)	14090-1950	1
COVER,RADIATOR,RH (Ref # 14090A)	14090-1951	1
COVER,UNDER BRACKET (Ref # 14091)	14091-1271	1
WINDSHIELD (Ref # 39154)	39154-5012	1
BRACKET-ASSY,MAIN (Ref # 39184)	39184-1085	1
COWLING,UPP,C.L.GREEN (Ref # 55028B)	55028-1386-8N	1
COWLING,DUCT,M.F.C.GRAY (Ref # 55028C)	55028-1387-3L	1
COWLING,INNER,LH (Ref # 55028D)	55028-1388	1
COWLING,INNER,RH (Ref # 55028E)	55028-1389	1
MIRROR-ASSY,LH (Ref # 56001)	56001-1483	1
MIRROR-ASSY,RH (Ref # 56001A)	56001-1484	1
SCREW,TAPPING,6X16 (Ref # 92009)	92009-1436	2
SCREW,5X16 (Ref # 92009A)	92009-1909	10
NUT,CAP,6MM,BLACK (Ref # 92015)	92015-1170	4
NUT,CAP,8MM,BLACK (Ref # 92015A)	92015-1174	2
NUT,WELL,5MM (Ref # 92015B)	92015-1757	10
NUT,6MM (Ref # 92015C)	92015-1758	2
RIVET (Ref # 92039)	92039-1227	3
GROMMET (Ref # 92071)	92071-1222	2
DAMPER,RUBBER (Ref # 92075)	92075-1123	2
DAMPER (Ref # 92075A)	92075-1912	2
BOLT,SOCKET,6X25 (Ref # 92151)	92151-1611	2
DAMPER,MIRROR (Ref # 92160)	92160-1089	4
WASHER,NYLON,5.3X11.5X0.5 (Ref # 92200)	92200-1480	10
COWLING,UPP,RED/BLACK (Ref # 55028)	55028-1386-QU	1

2001 Ninja® ZX™-9R PARTS LIST

Cowling(ZX900-E2)

ITEM NAME	PART NUMBER	QUANTITY
COWLING,UPP,GRAY/BLACK (Ref # 55028A)	55028-1386-6I	1