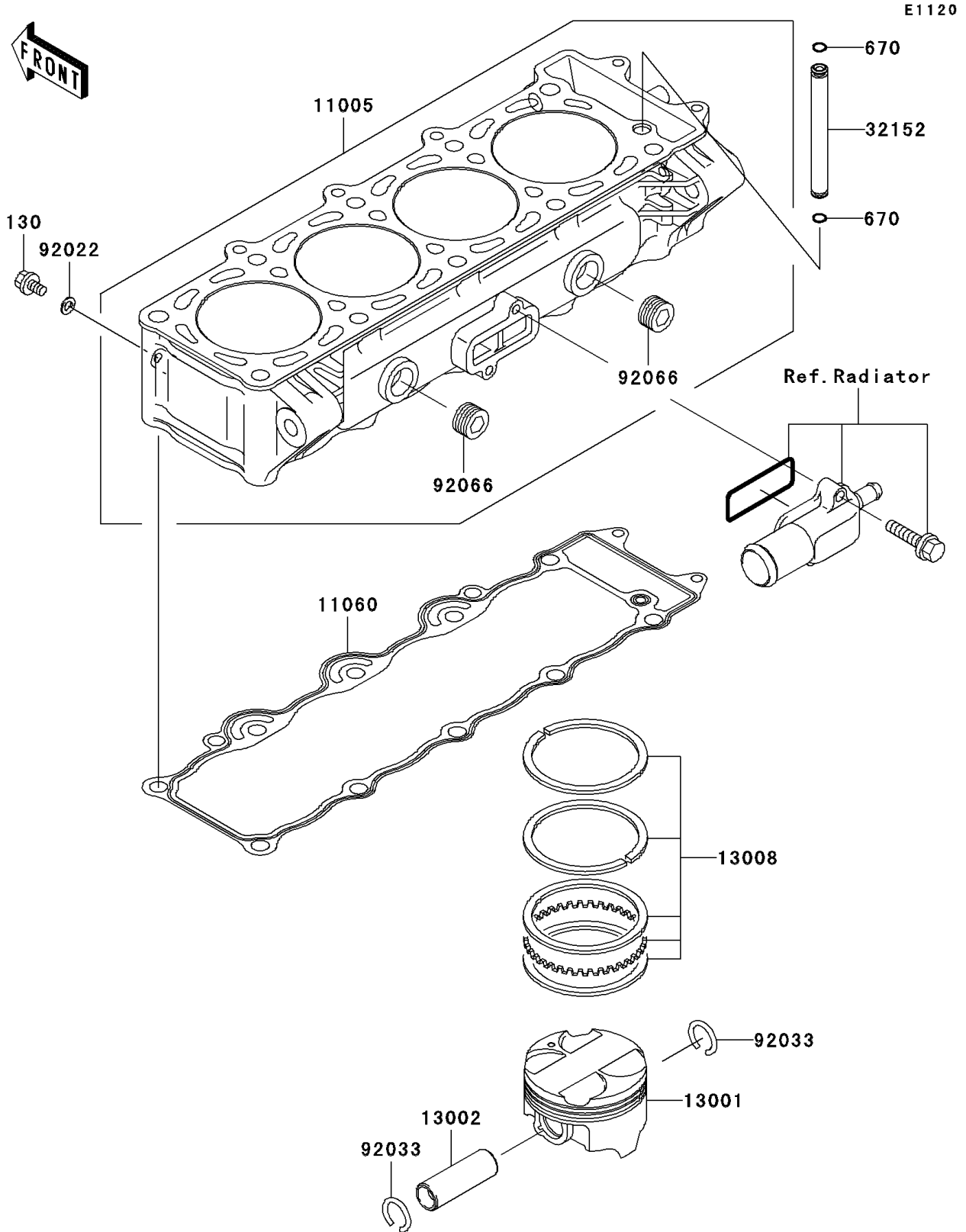


2002 Ninja® ZX™ -9R PARTS DIAGRAM

Cylinder/Piston(s)



2002 Ninja® ZX™ -9R PARTS LIST

Cylinder/Piston(s)

| ITEM NAME | PART NUMBER | QUANTITY |
|------------------------------------|-------------|----------|
| BOLT-FLANGED (Ref # 130) | 130Y0610 | 1 |
| O RING,7MM (Ref # 670) | 670D1507 | 2 |
| CYLINDER-ENGINE (Ref # 11005) | 11005-1909 | 1 |
| GASKET,CYLINDER BASE (Ref # 11060) | 11060-1974 | 1 |
| PISTON-ENGINE (Ref # 13001) | 13001-1623 | 4 |
| PIN-PISTON (Ref # 13002) | 13002-1129 | 4 |
| RING-SET-PISTON (Ref # 13008) | 13008-1181 | 4 |
| PIPE,OIL (Ref # 32152) | 32152-1544 | 1 |
| WASHER,6.2X11X1 (Ref # 92022) | 92022-304 | 1 |
| RING-SNAP,20.5X1.2 (Ref # 92033) | 92033-1099 | 8 |
| PLUG,PT1/2X12.5 (Ref # 92066) | 92066-0002 | 2 |