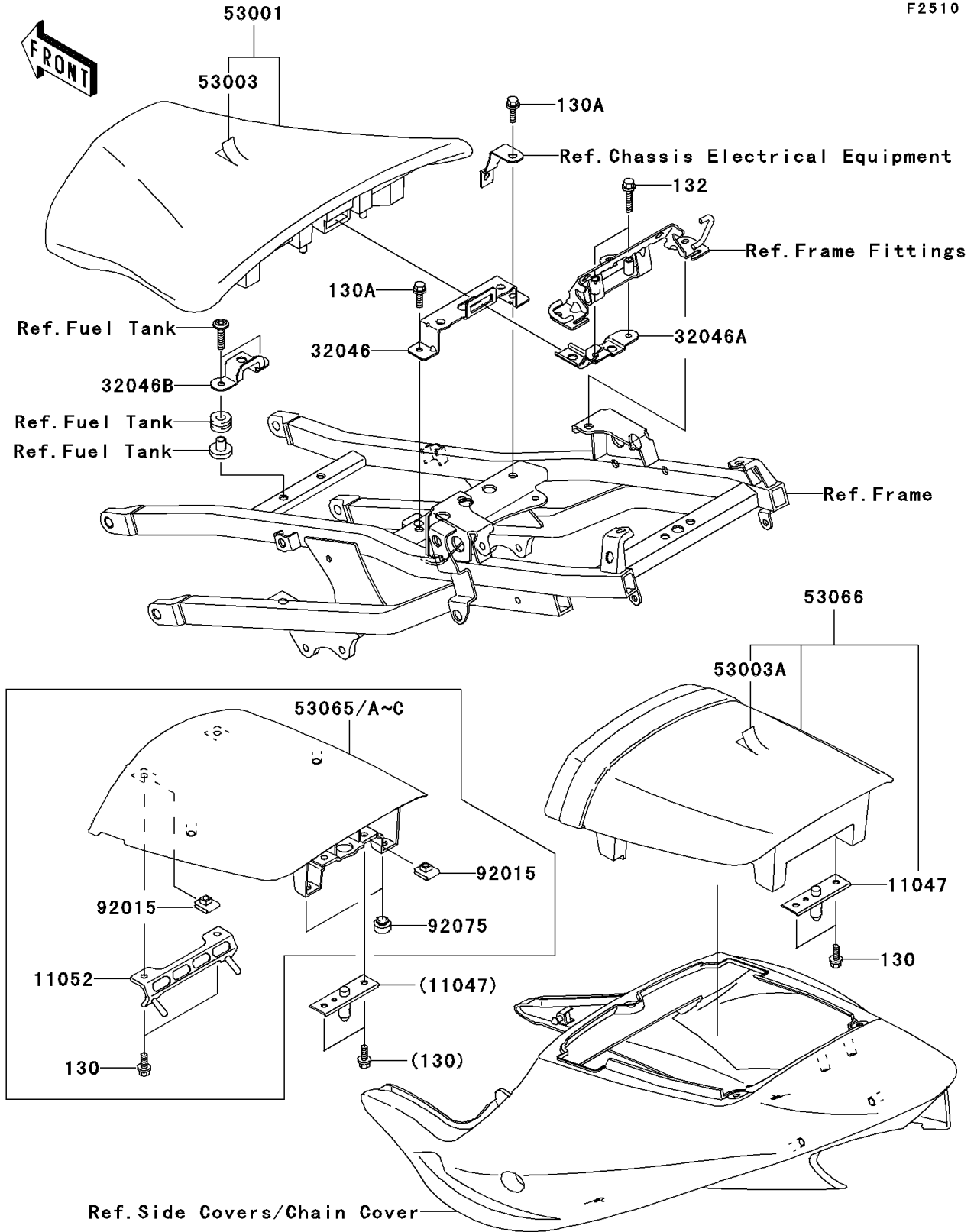


2002 Ninja® ZX™ -9R PARTS DIAGRAM

Seat

F2510



2002 Ninja® ZX™ -9R PARTS LIST

Seat

ITEM NAME	PART NUMBER	QUANTITY
-----------	-------------	----------