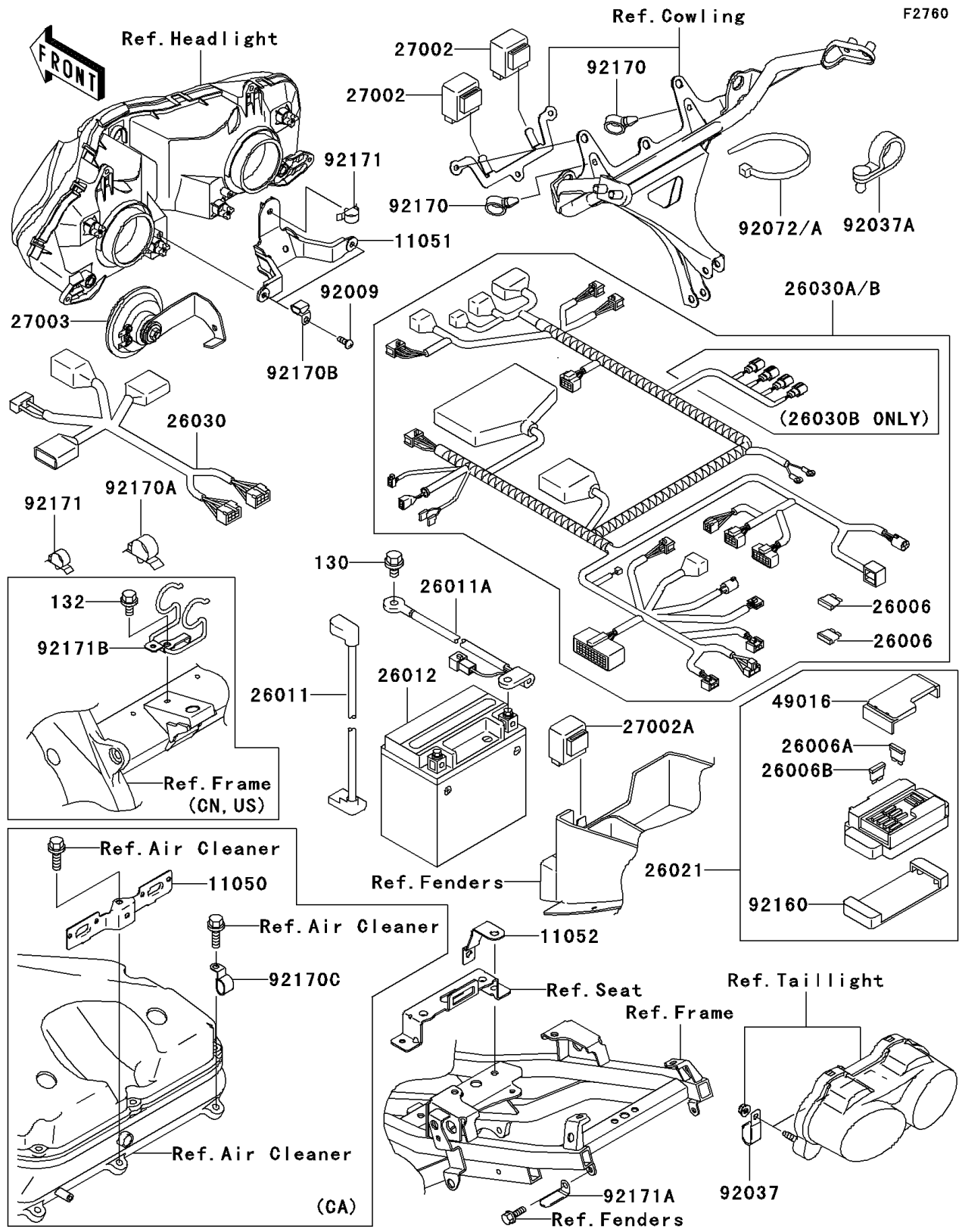


2003 Ninja® ZX™ -9R PARTS DIAGRAM

Chassis Electrical Equipment



2003 Ninja® ZX™ -9R PARTS LIST

Chassis Electrical Equipment

| ITEM NAME | PART NUMBER | QUANTITY |
|---|-------------|----------|
| BOLT-FLANGED,6X10 (Ref # 130) | 130V0610 | 1 |
| BRACKET,HEAD LAMP (Ref # 11051) | 11051-1827 | 1 |
| BRACKET,HEAD LAMP FUSE (Ref # 11052) | 11052-1647 | 1 |
| FUSE,20A-Y (Ref # 26006) | 26006-1051 | 2 |
| FUSE,30A-G (Ref # 26006A) | 26006-1067 | 1 |
| FUSE,10A-R (Ref # 26006B) | 26006-1068 | 8 |
| WIRE-LEAD,BATTERY(+) (Ref # 26011) | 26011-1736 | 1 |
| WIRE-LEAD,BATTERY(-) (Ref # 26011A) | 26011-1759 | 1 |
| BATTERY,YTX9-BS,12V 8AH (Ref # 26012) | 26012-1326 | 1 |
| JUNCTION BOX (Ref # 26021) | 26021-1096 | 1 |
| HARNESS,FR (Ref # 26030) | 26030-1779 | 1 |
| RELAY-ASSY (Ref # 27002) | 27002-1086 | 2 |
| RELAY-ASSY,TURN SIGNAL (Ref # 27002A) | 27002-1101 | 1 |
| HORN (Ref # 27003) | 27003-1407 | 1 |
| COVER-SEAL,FUSE (Ref # 49016) | 49016-1177 | 1 |
| SCREW,TAPPING,5X14 (Ref # 92009) | 92009-1197 | 2 |
| CLAMP,WIRING HARNESS,L=60 (Ref # 92037) | 92037-1069 | 2 |
| CLAMP,SPEED,L=80.5 (Ref # 92037A) | 92037-1903 | 4 |
| BAND,L=365 (Ref # 92072) | 92072-1197 | 2 |
| BAND,L=140 (Ref # 92072A) | 92072-1293 | 2 |
| DAMPER,JUNCTION BOX (Ref # 92160) | 92160-1650 | 1 |
| CLAMP (Ref # 92170) | 92170-1067 | 2 |
| CLAMP,HARNESS (Ref # 92170A) | 92170-1494 | 1 |
| CLAMP (Ref # 92170B) | 92170-1577 | 2 |
| CLAMP,HARNESS (Ref # 92171) | 92171-1269 | 2 |
| CLAMP (Ref # 92171A) | 92171-1420 | 1 |
| BOLT-FLANGED-SMALL (Ref # 132) | 132J0612 | 1 |
| BRACKET,HARNESS COUPLER (Ref # 11050) | 11050-1791 | 1 |
| HARNESS,MAIN (Ref # 26030A) | 26030-1925 | 1 |

2003 Ninja® ZX™ -9R PARTS LIST

Chassis Electrical Equipment

| ITEM NAME | PART NUMBER | QUANTITY |
|------------------------------|-------------|----------|
| HARNESS,MAIN (Ref # 26030B) | 26030-1926 | 1 |
| CLAMP (Ref # 92170C) | 92170-1833 | 1 |
| CLAMP,HARNESS (Ref # 92171B) | 92171-1492 | 1 |