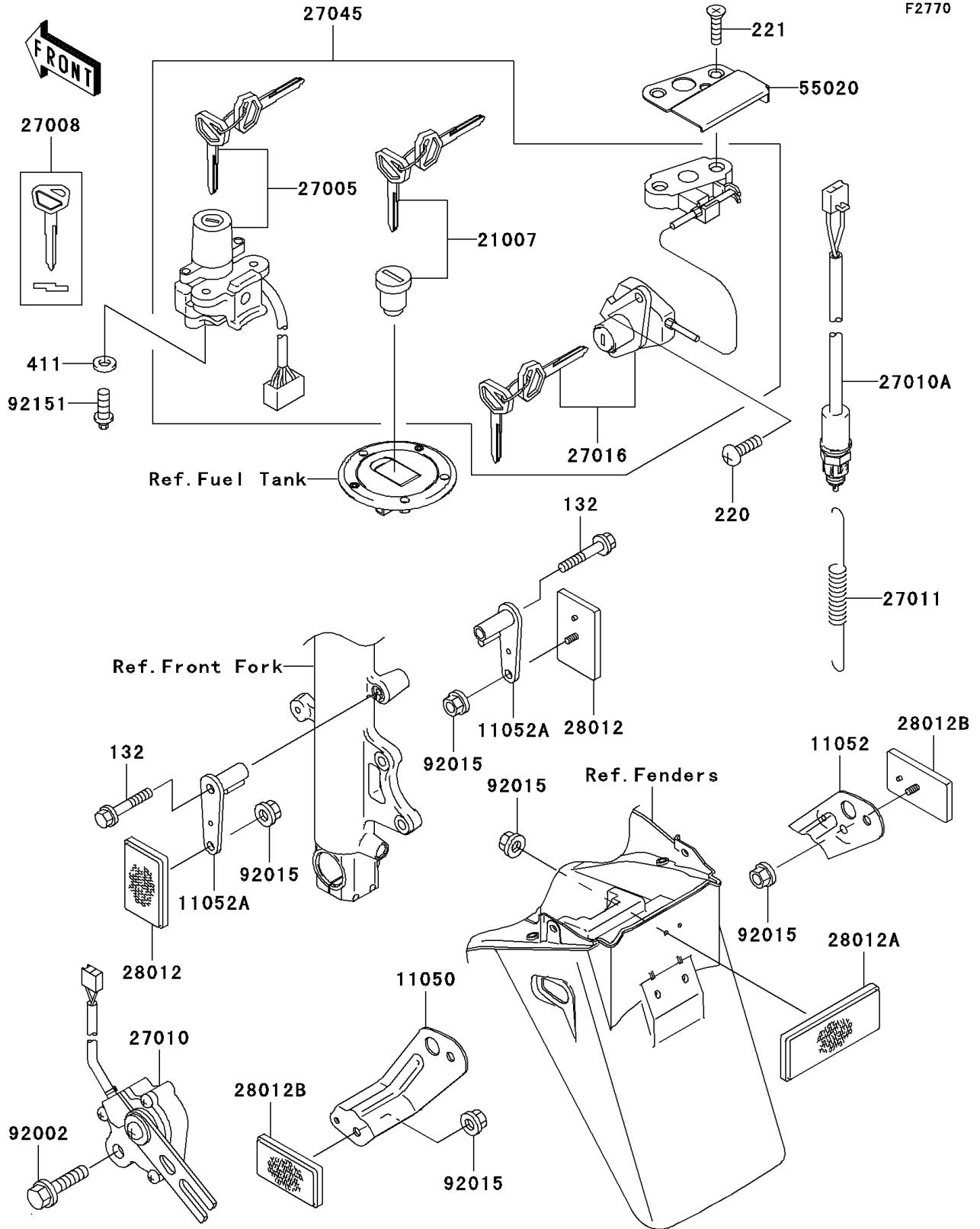


# 2003 Ninja® ZX™ -9R PARTS DIAGRAM

Ignition Switch/Locks/Reflectors



## 2003 Ninja® ZX™ -9R PARTS LIST

### Ignition Switch/Locks/Reflectors

ITEM NAME	PART NUMBER	QUANTITY
BOLT-FLANGED-SMALL (Ref # 132)	132J0635	2
SCREW-PAN-CROS,6X12 (Ref # 220)	220C0612	2
SCREW-CSK-CROS,6X28 (Ref # 221)	221B0628	2
WASHER-PLAIN,6MM (Ref # 411)	411E0600	2
BRACKET,REFLECTOR,RR,LH (Ref # 11050)	11050-1483	1
BRACKET,REFLECTOR,RR,RH (Ref # 11052)	11052-1555	1
BRACKET,REFLECTOR,FR (Ref # 11052A)	11052-1933	2
ROTOR,LOCK,TANK CAP (Ref # 21007)	21007-5035	1
SWITCH-ASSY-IGNITION (Ref # 27005)	27005-1259	1
KEY-LOCK,BLANK (Ref # 27008)	27008-1170	1
SWITCH,SIDE STAND (Ref # 27010)	27010-1455	1
SWITCH,REAR BRAKE (Ref # 27010A)	27010-1479	1
SPRING,BRAKE LAMP SWITCH (Ref # 27011)	27011-017	1
LOCK-ASSY,SEAT (Ref # 27016)	27016-5284	1
SWITCH-ASSY (Ref # 27045)	27045-5156	1
REFLECTOR-REFLEX (Ref # 28012)	28012-1003	2
REFLECTOR-REFLEX (Ref # 28012A)	28012-1077	1
REFLECTOR-REFLEX (Ref # 28012B)	28012-1088	2
GUARD,SEAT LOCK (Ref # 55020)	55020-1483	1
BOLT,6X25 (Ref # 92002)	92002-1582	1
NUT,FLANGED,5MM (Ref # 92015)	92015-1259	5
BOLT,TORX,6X16 (Ref # 92151)	92151-1911	2