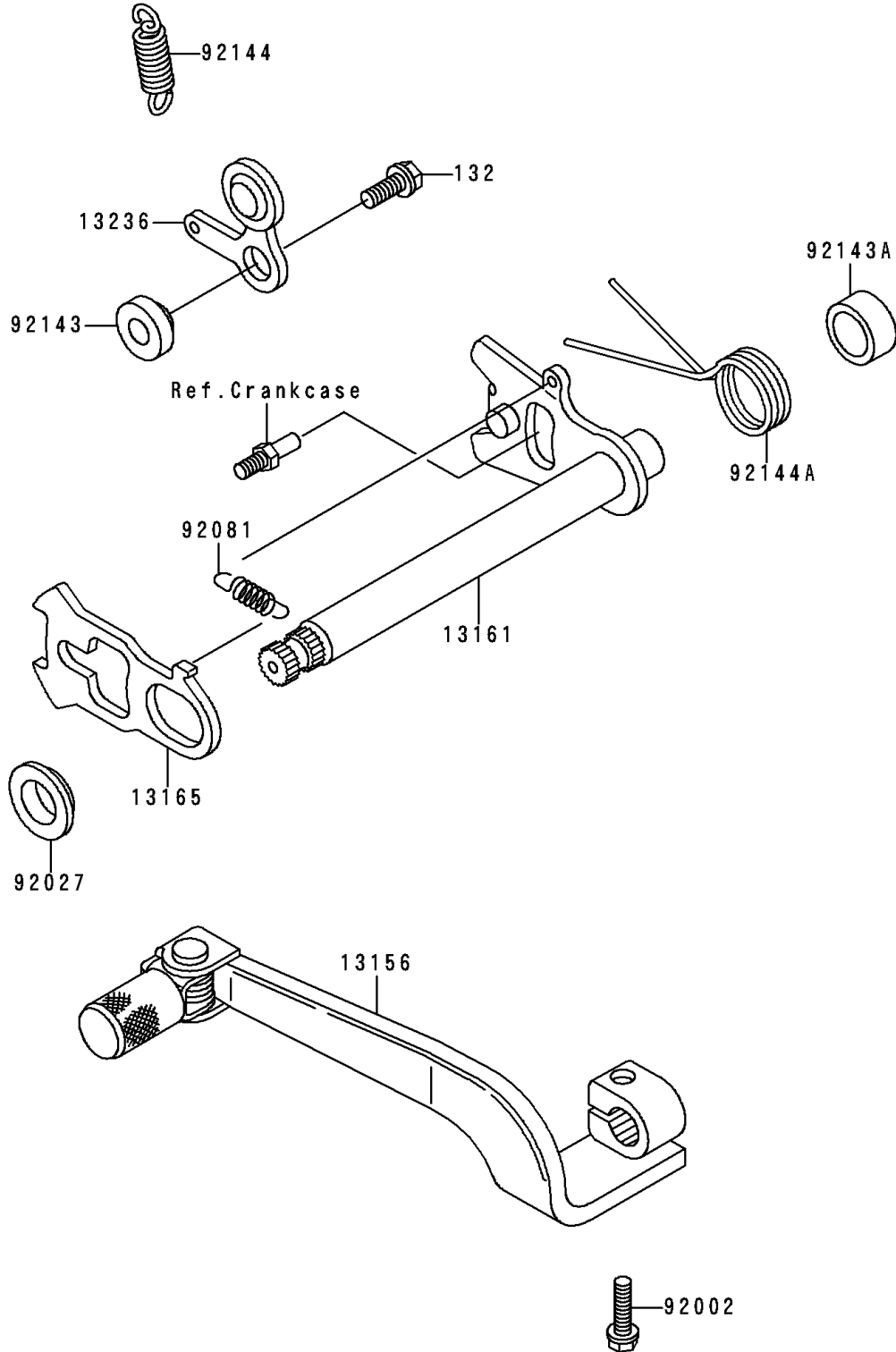


1994 KDX200 PARTS DIAGRAM

Gear Change Mechanism

E1370



1994 KDX200 PARTS LIST

Gear Change Mechanism

ITEM NAME	PART NUMBER	QUANTITY
BOLT-FLANGED-SMALL (Ref # 132)	132Y0616	1
LEVER-CHANGE,PEDAL (Ref # 13156)	13156-1269	1
LEVER-COMP-CHANGE SHAFT (Ref # 13161)	13161-1170	1
PAWL,CHANGE LEVER (Ref # 13165)	13165-1119	1
LEVER-COMP,POSITION (Ref # 13236)	13236-1189	1
BOLT,6X25 (Ref # 92002)	92002-1339	1
COLLAR,CHANGE SHAFT,L=5.5 (Ref # 92027)	92027-1512	1
SPRING,CHANGE LEVER (Ref # 92081)	92081-076	1
COLLAR (Ref # 92143)	92143-1055	1
COLLAR (Ref # 92143A)	92143-1148	1
SPRING (Ref # 92144)	92144-1382	1
SPRING,CHANGE SHAFT RETURN (Ref # 92144A)	92144-1736	1