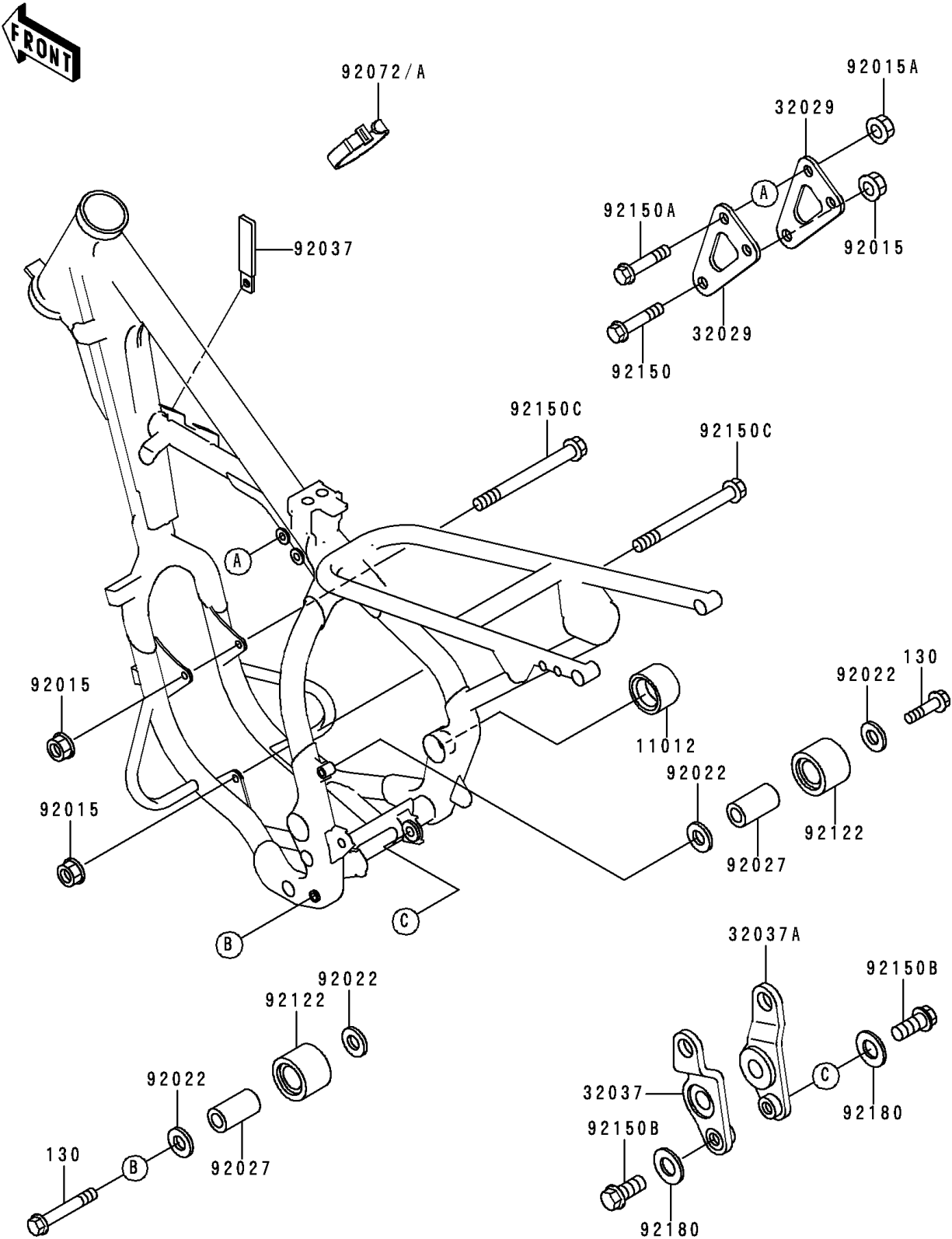


1992 KDX200 PARTS DIAGRAM

Frame Fitting

F2131



1992 KDX200 PARTS LIST

Frame Fitting

| ITEM NAME | PART NUMBER | QUANTITY |
|---|-------------|----------|
| BOLT-FLANGED,8X40 (Ref # 130) | 130G0840 | 2 |
| CAP,AXLE NUT (Ref # 11012) | 11012-1591 | 1 |
| BRACKET-ENGINE,UPP (Ref # 32029) | 32029-1688 | 2 |
| BRACKET-SHOCKABSORBER,LH (Ref # 32037) | 32037-1535 | 1 |
| BRACKET-SHOCKABSORBER,RH (Ref # 32037A) | 32037-1536 | 1 |
| NUT,FLANGED,10MM (Ref # 92015) | 92015-1502 | 3 |
| NUT,FLANGED,LOCK,8MM (Ref # 92015A) | 92015-1668 | 2 |
| WASHER,8.5X20X1.6 (Ref # 92022) | 92022-1561 | 4 |
| COLLAR,CHAIN ROLLER (Ref # 92027) | 92027-1670 | 2 |
| CLAMP,WIRING HARNESS (Ref # 92037) | 92037-1069 | 1 |
| BAND,L=149 (Ref # 92072) | 92072-031 | 2 |
| BAND,L=218 (Ref # 92072A) | 92072-032 | 2 |
| ROLLER,CHAIN GUIDE (Ref # 92122) | 92122-1153 | 2 |
| BOLT,FLANGED,10X50 (Ref # 92150) | 92150-1125 | 1 |
| BOLT,FLANGED,8X50 (Ref # 92150A) | 92150-1214 | 2 |
| BOLT,FLANGED,12X27 (Ref # 92150B) | 92150-1359 | 2 |
| BOLT,FLANGED,10X105 (Ref # 92150C) | 92150-1624 | 2 |
| SHIM,12.5X24X0.5 (Ref # 92180) | 92180-1060 | 2 |