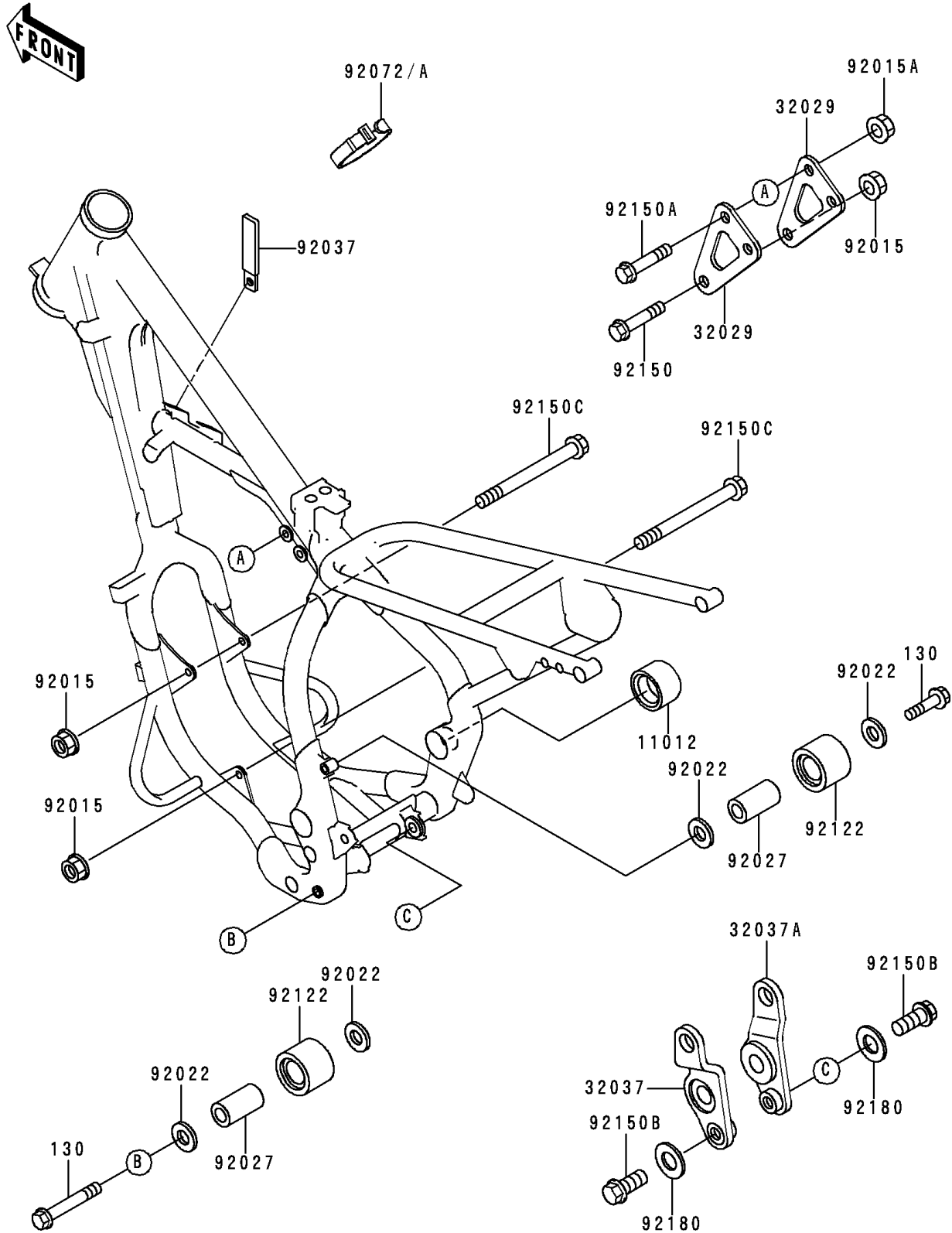


1993 KDX200 PARTS DIAGRAM

Frame Fitting

F2131



1993 KDX200 PARTS LIST

Frame Fitting

ITEM NAME	PART NUMBER	QUANTITY
BOLT-FLANGED,8X40 (Ref # 130)	130G0840	2
CAP,AXLE NUT (Ref # 11012)	11012-1591	1
BRACKET-ENGINE,UPP (Ref # 32029)	32029-1688	2
BRACKET-SHOCKABSORBER,LH (Ref # 32037)	32037-1535	1
BRACKET-SHOCKABSORBER,RH (Ref # 32037A)	32037-1536	1
NUT,FLANGED,10MM (Ref # 92015)	92015-1502	3
NUT,FLANGED,LOCK,8MM (Ref # 92015A)	92015-1668	2
WASHER,8.5X20X1.6 (Ref # 92022)	92022-1561	4
COLLAR,CHAIN ROLLER (Ref # 92027)	92027-1670	2
CLAMP,WIRING HARNESS (Ref # 92037)	92037-1069	1
BAND,L=149 (Ref # 92072)	92072-031	2
BAND,L=218 (Ref # 92072A)	92072-032	2
ROLLER,CHAIN GUIDE (Ref # 92122)	92122-1153	2
BOLT,FLANGED,10X50 (Ref # 92150)	92150-1125	1
BOLT,FLANGED,8X50 (Ref # 92150A)	92150-1214	2
BOLT,FLANGED,12X27 (Ref # 92150B)	92150-1359	2
BOLT,FLANGED,10X105 (Ref # 92150C)	92150-1624	2
SHIM,12.5X24X0.5 (Ref # 92180)	92180-1060	2