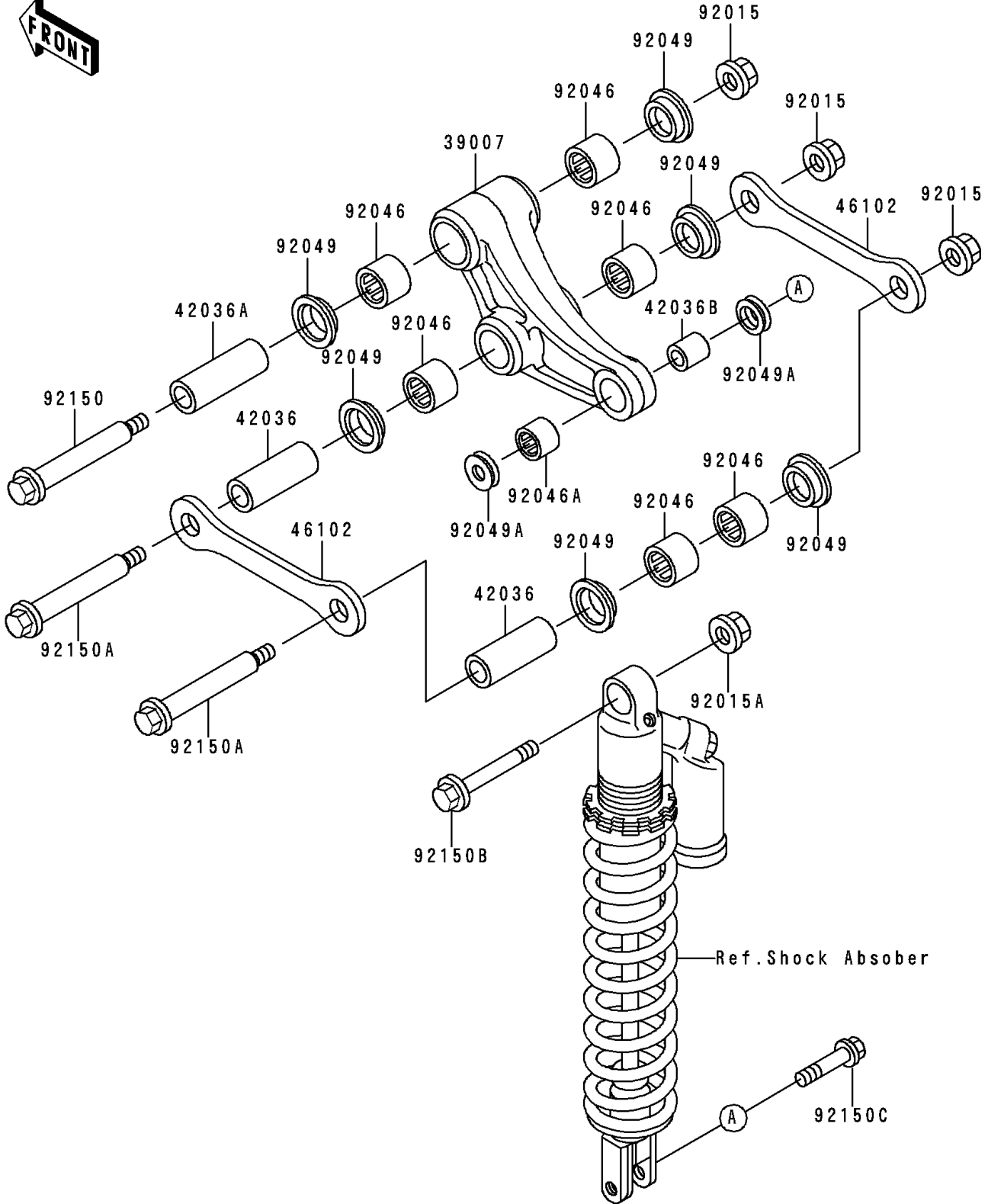


1992 KDX200 PARTS DIAGRAM

Suspension

F2150



1992 KDX200 PARTS LIST

Suspension

ITEM NAME	PART NUMBER	QUANTITY
ARM-SUSP,UNI TRAK (Ref # 39007)	39007-1180	1
SLEEVE,15X22X57 (Ref # 42036)	42036-1245	2
SLEEVE,15X22X63 (Ref # 42036A)	42036-1246	1
SLEEVE,10X16X19 (Ref # 42036B)	42036-1248	1
ROD,SUSPENSION (Ref # 46102)	46102-1258	2
NUT,FLANGED,12MM (Ref # 92015)	92015-1433	3
NUT,FLANGED,10MM (Ref # 92015A)	92015-1502	1
BEARING-NEEDLE,F-2220 (Ref # 92046)	92046-1162	6
BEARING-NEEDLE,16BM2212 (Ref # 92046A)	92046-1192	1
SEAL-OIL,MHA22 28 5.7F (Ref # 92049)	92049-1254	6
SEAL-OIL (Ref # 92049A)	92049-1330	2
BOLT,ARM,12MM (Ref # 92150)	92150-1195	1
BOLT,ROD,12X85 (Ref # 92150A)	92150-1213	2
BOLT,FLANGED,10X63 (Ref # 92150B)	92150-1384	1
BOLT,FLANGED,10X40 (Ref # 92150C)	92150-1711	1