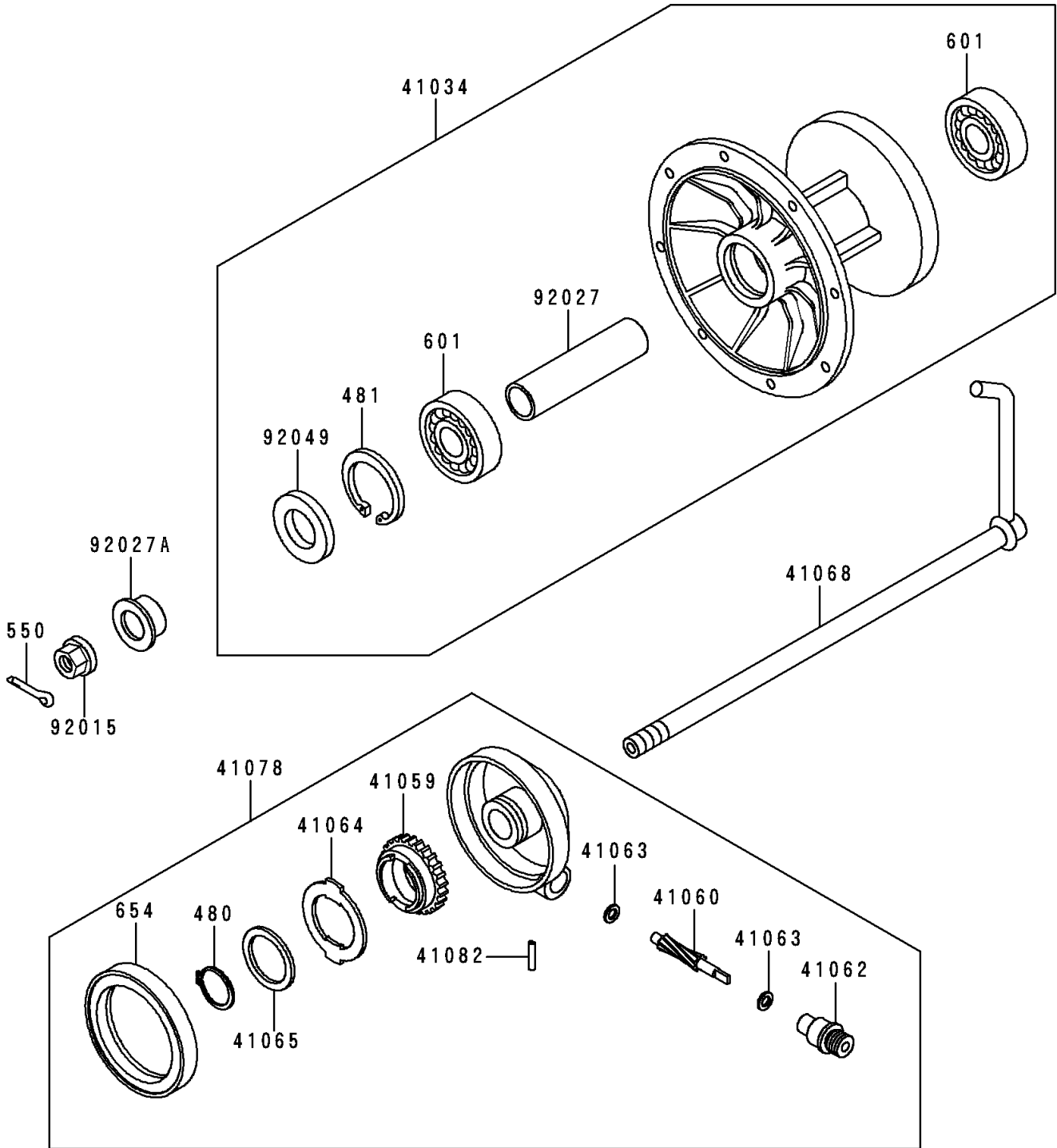


# 1992 KDX200 PARTS DIAGRAM

Front Hub(KDX200-E4)

F2230



# 1992 KDX200 PARTS LIST

Front Hub(KDX200-E4)

ITEM NAME	PART NUMBER	QUANTITY
CIRCLIP-TYPE-C,24MM (Ref # 480)	480J2400	1
CIRCLIP-TYPE-C,35MM (Ref # 481)	481J3500	1
PIN-COTTER,3.0X25 (Ref # 550)	550D3025	1
BEARING-BALL,#6202UG (Ref # 601)	601B6202UG	2
OIL SEAL,#50659 (Ref # 654)	654A506509	1
DRUM-ASSY,FRONT BRAKE (Ref # 41034)	41034-1156	1
GEAR-METER SCREW (Ref # 41059)	41059-027	1
GEAR-METER SCREW,8T (Ref # 41060)	41060-015	1
BUSHING,SPEEDOMETER CABLE (Ref # 41062)	41062-005	1
WASHER,5.1X9X0.4 (Ref # 41063)	41063-001	2
RECEIVER-SPEEDOMETER (Ref # 41064)	41064-015	1
WASHER,24.5X32X0.8 (Ref # 41065)	41065-005	1
AXLE,FR (Ref # 41068)	41068-1291	1
CASE-ASSY-METER GEAR (Ref # 41078)	41078-011	1
PIN,SPRING (Ref # 41082)	41082-001	1
NUT,FLANGED,14MM (Ref # 92015)	92015-1401	1
COLLAR,15.2X22.2X75 (Ref # 92027)	92027-1958	1
COLLAR,L=12 (Ref # 92027A)	92027-1959	1
SEAL-OIL,MH20354.5 (Ref # 92049)	92049-1176	1