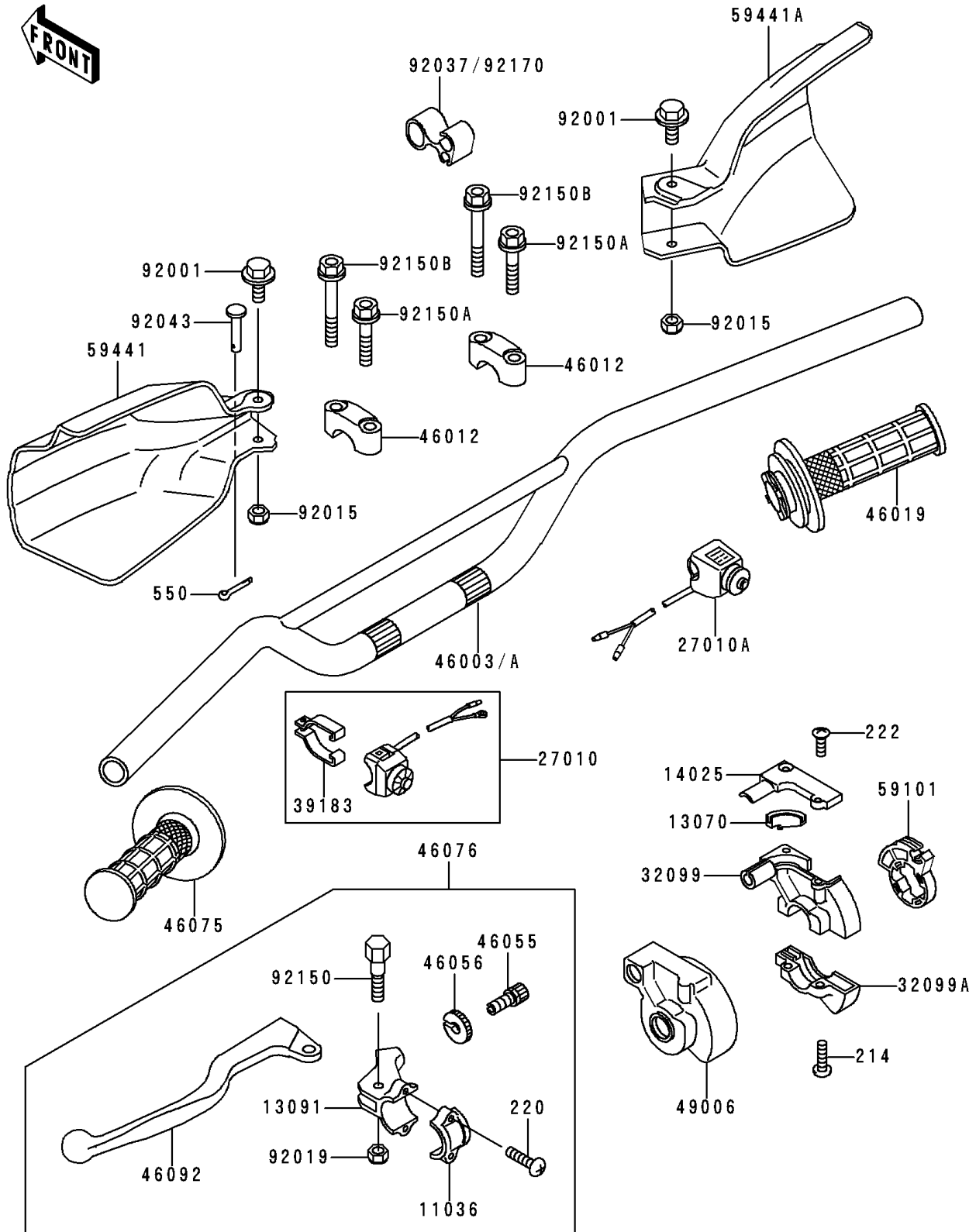


1992 KDX200 PARTS DIAGRAM

Handlebar

F2310



1992 KDX200 PARTS LIST

Handlebar

| ITEM NAME | PART NUMBER | QUANTITY |
|--|---------------|----------|
| SCREW-PAN+- (Ref # 214) | 214C0518 | 2 |
| SCREW-PAN-CROS (Ref # 220) | 220C0514 | 2 |
| SCREW-CSK-RD-CROS (Ref # 222) | 222E0412 | 2 |
| PIN-COTTER,1.2X10 (Ref # 550) | 550D1210 | 1 |
| BRACKET-A,LEVER HOLDER (Ref # 11036) | 11036-1297 | 1 |
| GUIDE,THROTTLE PEACE (Ref # 13070) | 13070-1073 | 1 |
| HOLDER,CLUTCH LEVER (Ref # 13091) | 13091-1131 | 1 |
| COVER,THROTTLE CASE UPP (Ref # 14025) | 14025-1646 | 1 |
| SWITCH,ENGINE STOP (Ref # 27010) | 27010-1161 | 1 |
| SWITCH,LIGHTING (Ref # 27010A) | 27010-1279 | 1 |
| CASE,THROTTLE UPP (Ref # 32099) | 32099-1036 | 1 |
| CASE,THROTTLE LWR (Ref # 32099A) | 32099-1044 | 1 |
| BAND-ASSY,ENGINE STOP SWITCH (Ref # 39183) | 39183-1059 | 1 |
| HANDLE,SILVER NO.25 (Ref # 46003) | 46003-1316-CE | 1 |
| HOLDER-HANDLE (Ref # 46012) | 46012-1191 | 2 |
| GRIP-ASSY,THROTTLE (Ref # 46019) | 46019-1054 | 1 |
| SCREW,CABLE ADJUST,8MM (Ref # 46055) | 46055-009 | 1 |
| NUT,CABLE ADJUST (Ref # 46056) | 46056-006 | 1 |
| GRIP,LH (Ref # 46075) | 46075-1024 | 1 |
| LEVER-ASSY-GRIP,CLUTCH (Ref # 46076) | 46076-1163 | 1 |
| LEVER-GRIP,CLUTCH (Ref # 46092) | 46092-1110 | 1 |
| BOOT,THROTTLE CASE (Ref # 49006) | 49006-1097 | 1 |
| REEL,THROTTLE (Ref # 59101) | 59101-1103 | 1 |
| COVER-HANDLE,LH,L.GREEN (Ref # 59441) | 59441-1094-6W | 1 |
| COVER-HANDLE,RH,L.GREEN (Ref # 59441A) | 59441-1098-6W | 1 |
| BOLT,FLANGED,6X10 (Ref # 92001) | 92001-1034 | 2 |
| NUT,LOCK,6MM (Ref # 92015) | 92015-1603 | 2 |
| NUT,LOCK,6MM (Ref # 92019) | 92019-008 | 1 |
| CLAMP,BRAKE HOSE (Ref # 92037) | 92037-1629 | 1 |

1992 KDX200 PARTS LIST

Handlebar

| ITEM NAME | PART NUMBER | QUANTITY |
|----------------------------------|-------------|----------|
| PIN,5X27.5 (Ref # 92043) | 92043-1434 | 1 |
| BOLT (Ref # 92150) | 92150-1291 | 1 |
| BOLT,FLANGED,8X30 (Ref # 92150A) | 92150-1455 | 2 |
| BOLT,FLANGED,8X45 (Ref # 92150B) | 92150-1456 | 2 |