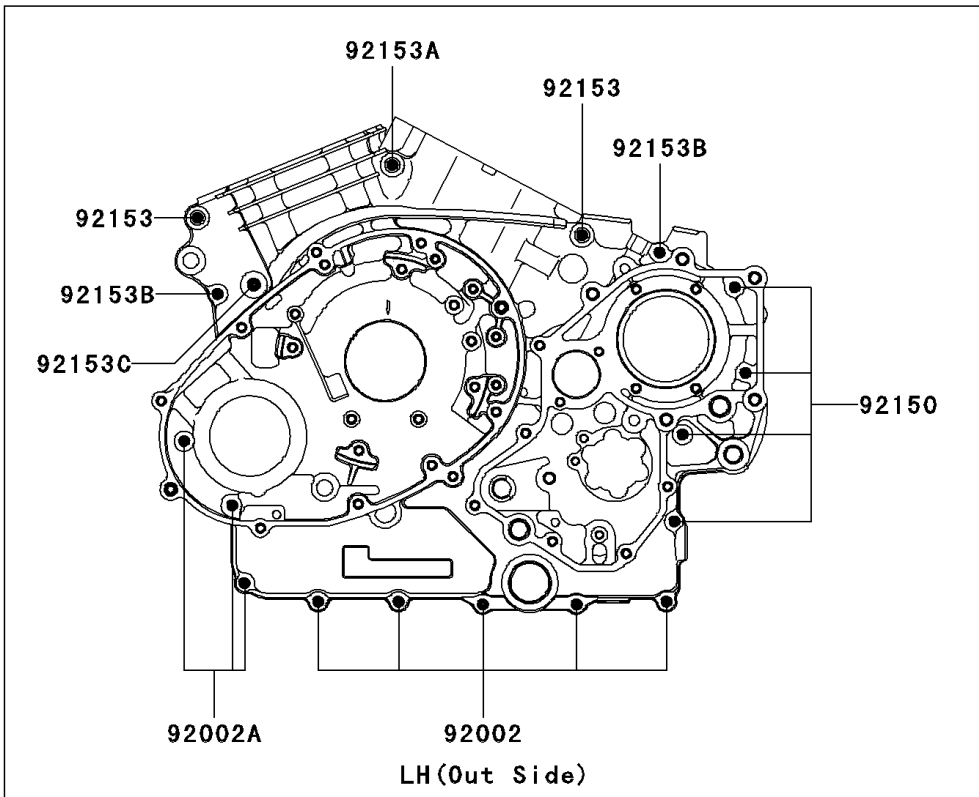
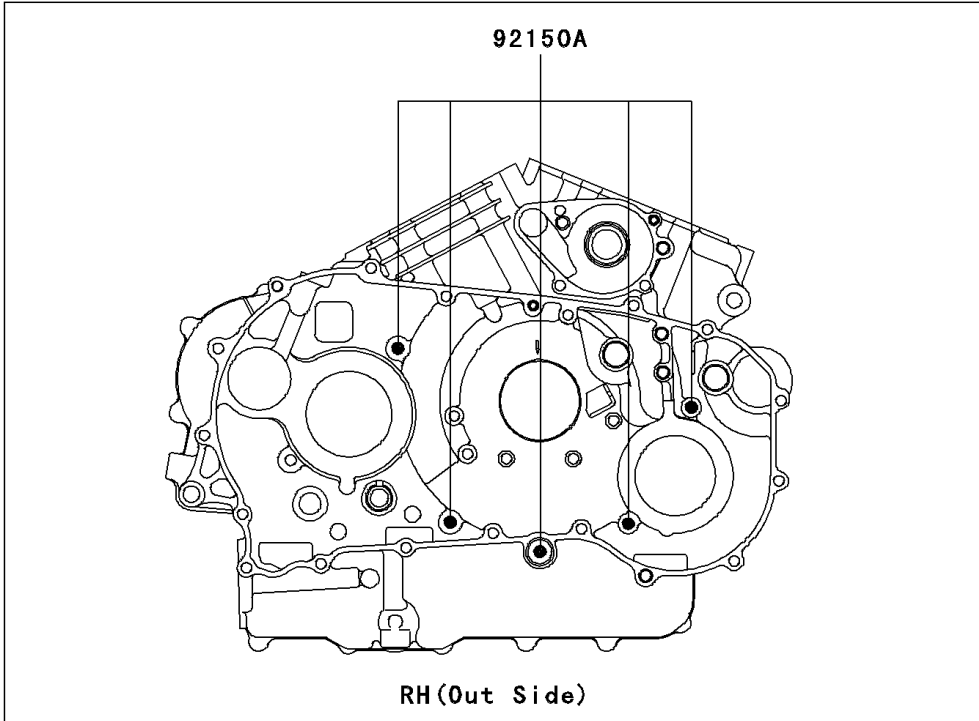


# 2004 Vulcan 1600 Classic PARTS DIAGRAM

Crankcase Bolt Pattern(A1/A2)

E1412



## 2004 Vulcan 1600 Classic PARTS LIST

### Crankcase Bolt Pattern(A1/A2)

ITEM NAME	PART NUMBER	QUANTITY
BOLT,FLANGED,M6X40 (Ref # 92002)	92002-1566	5
BOLT,FLANGED,M6X80 (Ref # 92002A)	92002-1568	3
BOLT,6X70 (Ref # 92150)	92150-1995	4
BOLT,8X90 (Ref # 92150A)	92150-1996	5
BOLT,10X105 (Ref # 92153)	92153-0016	2
BOLT,10X115 (Ref # 92153A)	92153-0017	1
BOLT,FLANGED,6X70 (Ref # 92153B)	92153-0018	2
BOLT,FLANGED,8X90 (Ref # 92153C)	92153-0019	1