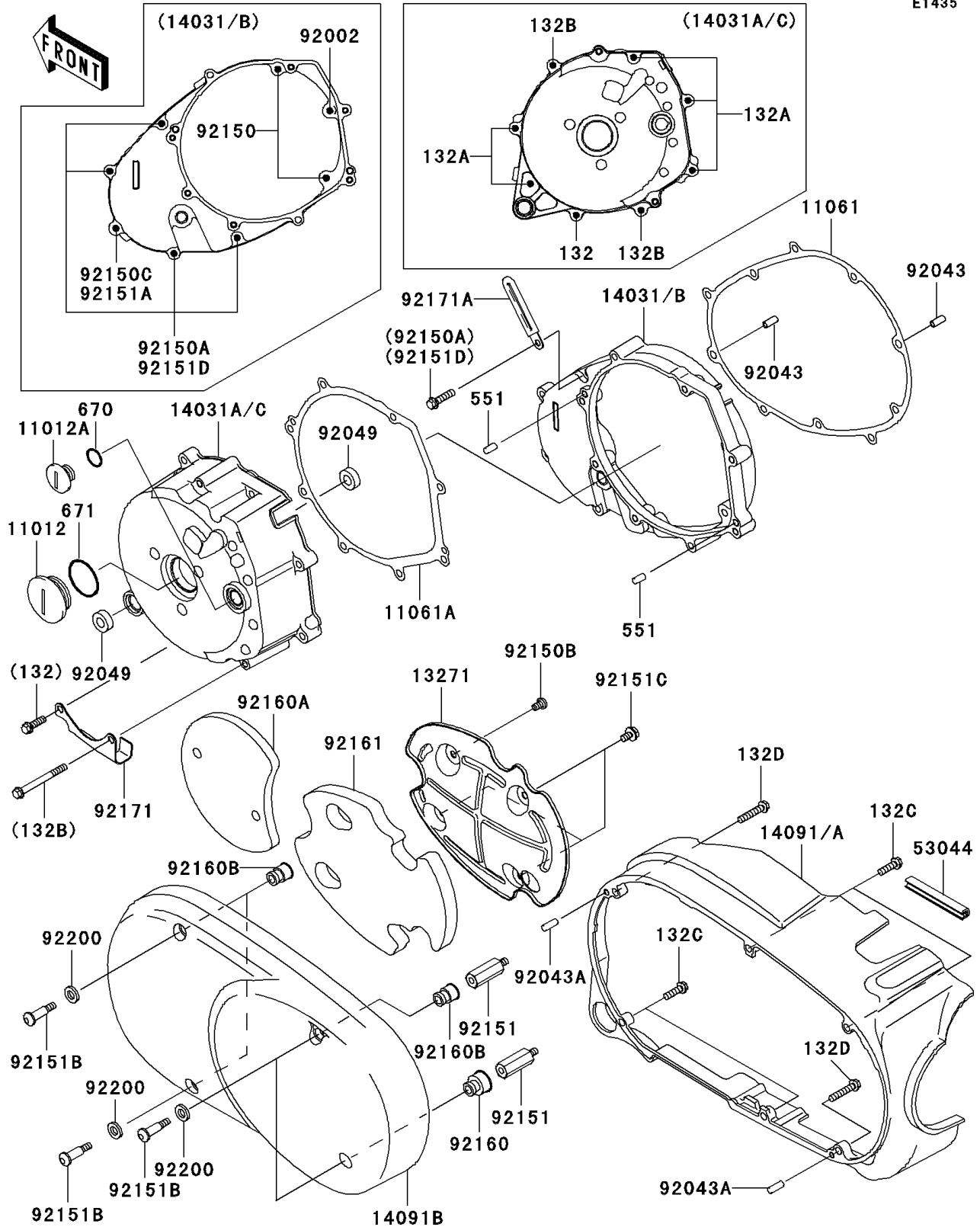


2003 Vulcan 1600 Classic PARTS DIAGRAM

Left Engine Cover(s)

E1435



2003 Vulcan 1600 Classic PARTS LIST

Left Engine Cover(s)

ITEM NAME	PART NUMBER	QUANTITY
CAP (Ref # 11012)	11012-1362	1
CAP, TOP MARK (Ref # 11012A)	11012-1363	1
GASKET, GENERATOR COVER, IN (Ref # 11061)	11061-1079	1
GASKET, GENERATOR COVER, OUT (Ref # 11061A)	11061-1080	1
PLATE (Ref # 13271)	13271-1496	1
COVER-GENERATOR, INNER (Ref # 14031)	14031-0001	1
COVER-GENERATOR, OUTER (Ref # 14031A)	14031-0002	1
COVER, LH, INNER (Ref # 14091)	14091-0002	1
COVER, LH, OUTER (Ref # 14091B)	14091-1297	1
TRIM (Ref # 53044)	53044-1312	1
BOLT, FLANGED, M6X40 (Ref # 92002)	92002-1566	1
PIN, 6.2X8X14 (Ref # 92043)	92043-1263	2
PIN, 6X16 (Ref # 92043A)	92043-1690	2
SEAL-OIL, VB13193 (Ref # 92049)	92049-1398	2
BOLT, 6X30 (Ref # 92150)	92150-1021	2
BOLT, 6X10 (Ref # 92150B)	92150-1864	1
BOLT (Ref # 92151)	92151-1062	2
BOLT, 6X35 (Ref # 92151A)	92151-1135	1
BOLT, L=32 (Ref # 92151B)	92151-1796	4
BOLT, 6X10 (Ref # 92151C)	92151-1884	3
BOLT, FLANGED-SMALL, M6X25 (Ref # 92151D)	92151-1930	4
DAMPER (Ref # 92160)	92160-1718	1
DAMPER (Ref # 92160A)	92160-1719	1
DAMPER (Ref # 92160B)	92160-1730	3
DAMPER (Ref # 92161)	92161-1179	1
CLAMP, CLUCTH HOSE (Ref # 92171)	92171-0117	1
CLAMP (Ref # 92171A)	92171-0462	1
WASHER (Ref # 92200)	92200-1296	4
BOLT-FLANGED-SMALL, M6X20 (Ref # 132)	132J0620	1

2003 Vulcan 1600 Classic PARTS LIST

Left Engine Cover(s)

ITEM NAME	PART NUMBER	QUANTITY
BOLT-FLANGED-SMALL,M6X30 (Ref # 132A)	132J0630	5
BOLT-FLANGED-SMALL,M6X60 (Ref # 132B)	132J0660	2
BOLT-FLANGED-SMALL,M6X20 (Ref # 132C)	132V0620	4
BOLT-FLANGED-SMALL,M6X30 (Ref # 132D)	132V0630	2
PIN-DOWEL,6X12 (Ref # 551)	551A0612	2
O RING,18MM (Ref # 670)	670B2018	1
O RING,40MM (Ref # 671)	671B2540	1