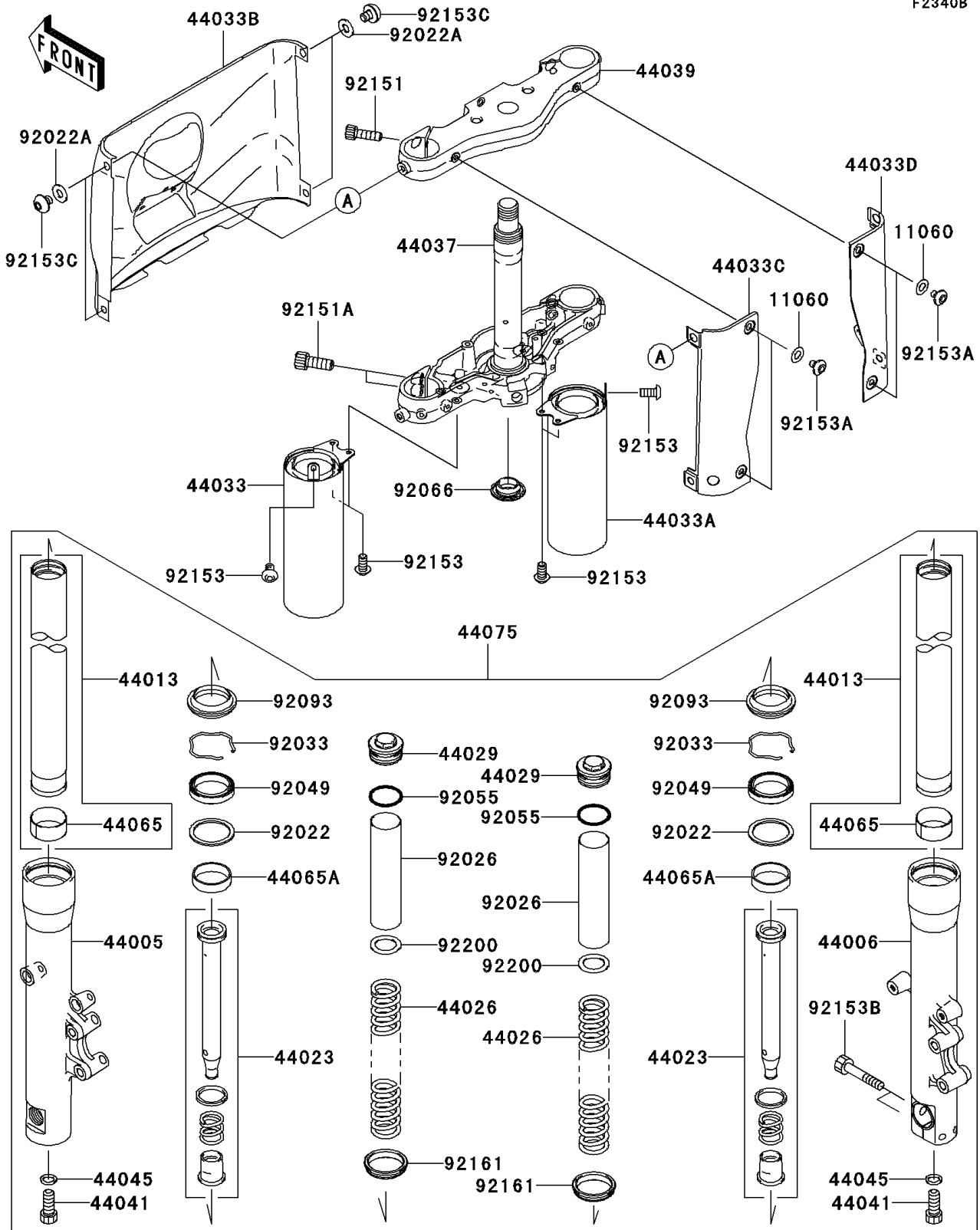


2005 Vulcan 1600 Classic PARTS DIAGRAM

Front Fork(JKBNKA1 5A015116-)

F2340B



2005 Vulcan 1600 Classic PARTS LIST

Front Fork(JKBNKA1 5A015116-)

ITEM NAME	PART NUMBER	QUANTITY
GASKET,6.2X12X0.3 (Ref # 11060)	11060-1994	4
PIPE-LEFT FORK OUTER (Ref # 44005)	44005-1436	1
PIPE-RIGHT FORK OUTER (Ref # 44006)	44006-0006	1
PIPE-FORK INNER (Ref # 44013)	44013-0002	2
CYLINDER-SET-FORK (Ref # 44023)	44023-0004	2
SPRING-FRONT FORK (Ref # 44026)	44026-0014	2
SEAT-FORK SPRING (Ref # 44029)	44029-1154	2
COVER-FORK,INNER,LH (Ref # 44033)	44033-0011	1
COVER-FORK,INNER,RH (Ref # 44033A)	44033-0012	1
COVER-FORK,CNT (Ref # 44033B)	44033-0013	1
COVER-FORK,RR,LH (Ref # 44033C)	44033-0029	1
COVER-FORK,RR,RH (Ref # 44033D)	44033-0031	1
HOLDER-FORK UNDER (Ref # 44037)	44037-0030	1
HOLDER-FORK UPPER (Ref # 44039)	44039-0032	1
BOLT,SOCKET,FORK CYLINDER (Ref # 44041)	44041-040	2
GASKET (Ref # 44045)	44045-057	2
BUSHING-FRONT FORK (Ref # 44065)	44065-0003	2
BUSHING-FRONT FORK (Ref # 44065A)	44065-1143	2
DAMPER-SET-FORK (Ref # 44075)	44075-1188	1
WASHER (Ref # 92022)	92022-1299	2
WASHER,8.2X18X1.5 (Ref # 92022A)	92022-3743	4
SPACER (Ref # 92026)	92026-0002	2
RING-SNAP (Ref # 92033)	92033-1077	2
SEAL-OIL (Ref # 92049)	92049-0007	2
RING-O (Ref # 92055)	92055-1123	2
PLUG (Ref # 92066)	92066-0032	1
SEAL,FORK OUTER TUBE (Ref # 92093)	92093-1480	2
BOLT,SOCKET,8X25 (Ref # 92151)	92151-1270	2
BOLT,SOCKET,10X25 (Ref # 92151A)	92151-1358	4

2005 Vulcan 1600 Classic PARTS LIST

Front Fork(JKBNKA1 5A015116-)

ITEM NAME	PART NUMBER	QUANTITY
BOLT (Ref # 92153)	92153-0300	6
BOLT,SOCKET,6X10 (Ref # 92153A)	92153-0411	4
BOLT (Ref # 92153B)	92153-0425	2
BOLT,SOCKET,8X10 (Ref # 92153C)	92153-1278	4
DAMPER (Ref # 92161)	92161-1343	2
WASHER (Ref # 92200)	92200-1253	2