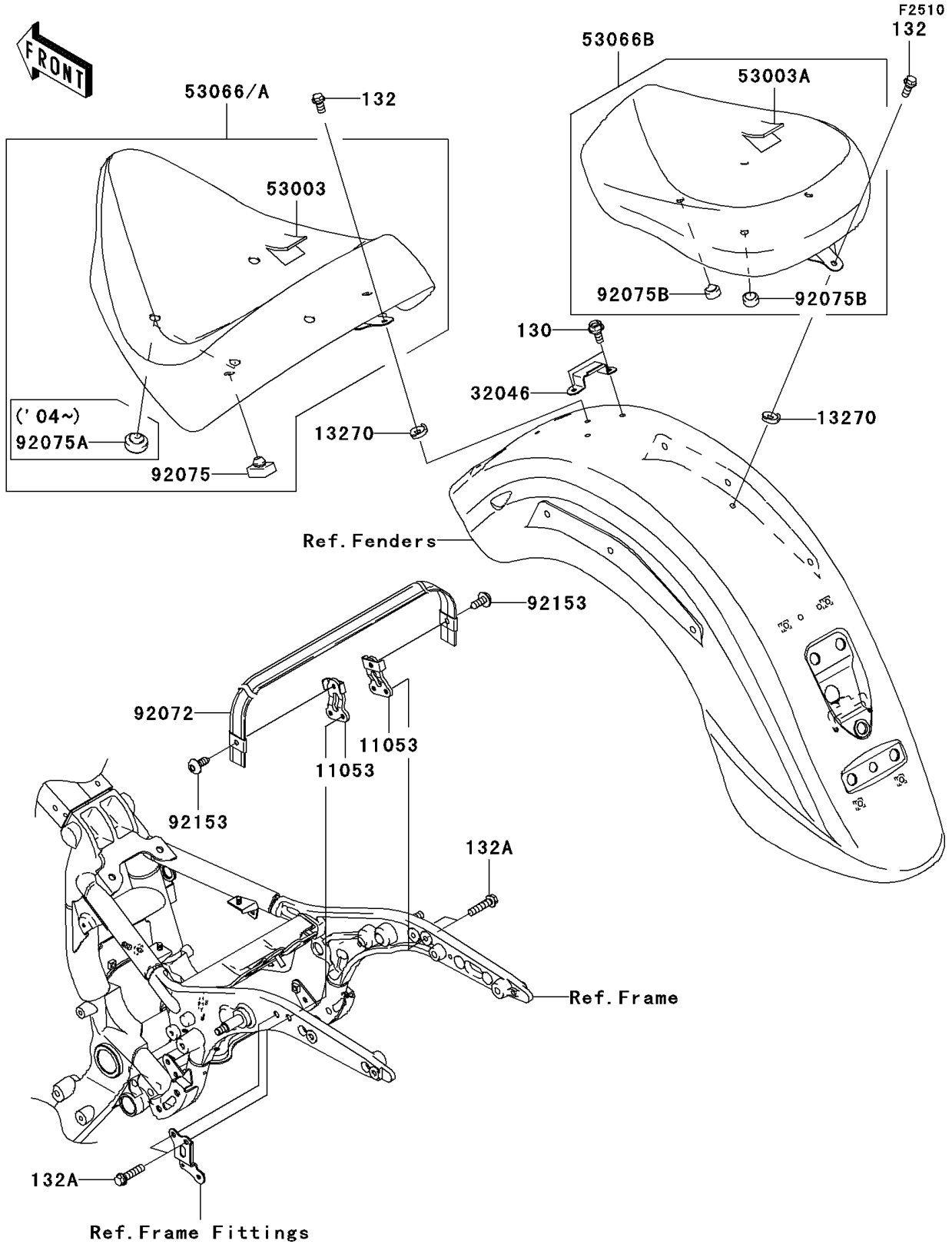


# 2005 Vulcan 1600 Classic PARTS DIAGRAM

Seat(-JKBVNKA1 5A014810)



## 2005 Vulcan 1600 Classic PARTS LIST

Seat(-JKBVNKA1 5A014810)

| ITEM NAME                              | PART NUMBER   | QUANTITY |
|--|---------------|----------|
| BOLT-FLANGED,6X14,BLACK (Ref # 130)    | 130J0614      | 2        |
| BOLT-FLANGED-SMALL,M6X14 (Ref # 132)   | 132J0614      | 2        |
| BOLT-FLANGED-SMALL,M6X25 (Ref # 132A)  | 132J0625      | 4        |
| BRACKET,SEAT BAND (Ref # 11053)        | 11053-0280    | 2        |
| PLATE,SEAT (Ref # 13270)               | 13270-1484    | 2        |
| BRACKET-SEAT (Ref # 32046)             | 32046-1537    | 1        |
| LEATHER,FRONT SEAT,BLACK (Ref # 53003) | 53003-1531-MA | 1        |
| LEATHER,REAR SEAT,BLACK (Ref # 53003A) | 53003-1532-MA | 1        |
| SEAT-ASSY,FR,BLACK (Ref # 53066A)      | 53066-0020-MA | 1        |
| SEAT-ASSY,RR,BLACK (Ref # 53066B)      | 53066-1078-MA | 1        |
| BAND,SEAT (Ref # 92072)                | 92072-0020    | 1        |
| DAMPER (Ref # 92075)                   | 92075-099     | 2        |
| DAMPER (Ref # 92075A)                  | 92075-1045    | 4        |
| DAMPER (Ref # 92075B)                  | 92075-1927    | 4        |
| BOLT,SOCKET,6X16 (Ref # 92153)         | 92153-0374    | 2        |