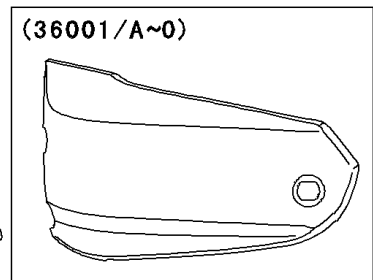
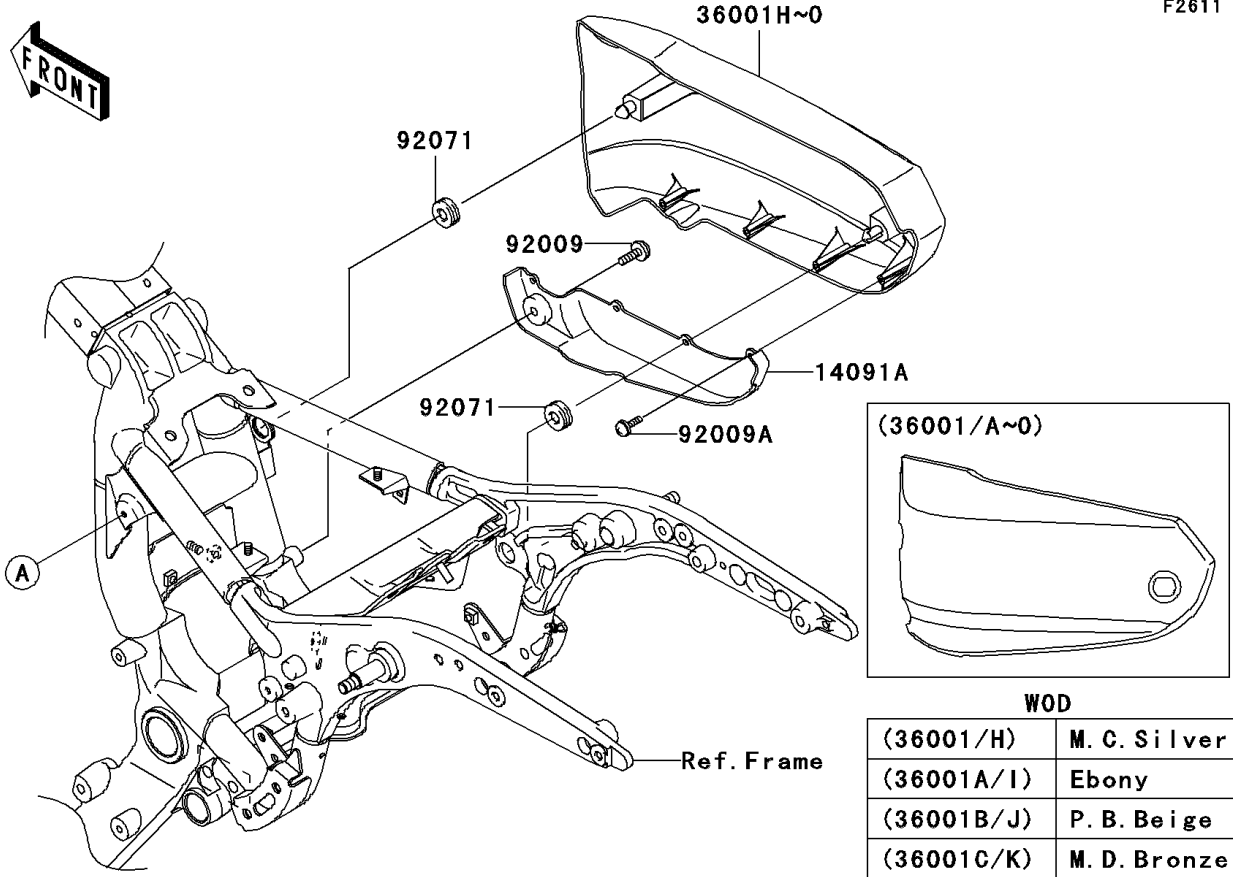


2005 Vulcan 1600 Classic PARTS DIAGRAM

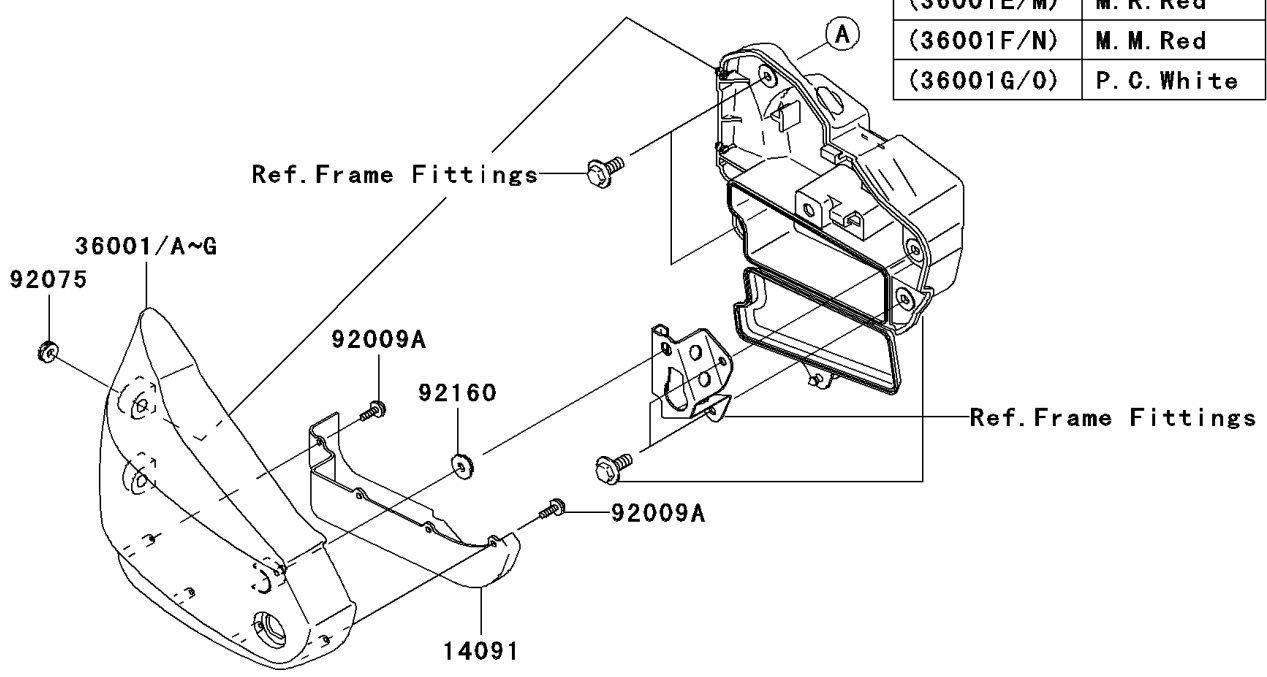
Side Covers

F2611



WOD

(36001/H)	M. C. Silver
(36001A/I)	Ebony
(36001B/J)	P. B. Beige
(36001C/K)	M. D. Bronze
(36001D/L)	P. M. Black
(36001E/M)	M. R. Red
(36001F/N)	M. M. Red
(36001G/O)	P. C. White



2005 Vulcan 1600 Classic PARTS LIST

Side Covers

ITEM NAME	PART NUMBER	QUANTITY
COVER,SIDE COVER,LH (Ref # 14091)	14091-1343	1
COVER,SIDE COVER,RH (Ref # 14091A)	14091-1344	1
COVER-SIDE,LH,EBONY (Ref # 36001A)	36001-1684-H8	1
COVER-SIDE,LH,P.B.BEIGE (Ref # 36001B)	36001-1684-X8	1
COVER-SIDE,LH,M.M.RED (Ref # 36001F)	36001-1684-665	1
COVER-SIDE,RH,EBONY (Ref # 36001I)	36001-1685-H8	1
COVER-SIDE,RH,P.B.BEIGE (Ref # 36001J)	36001-1685-X8	1
COVER-SIDE,RH,M.M.RED (Ref # 36001N)	36001-1685-665	1
SCREW,6X14 (Ref # 92009)	92009-1662	1
SCREW,TAPPING,4X14 (Ref # 92009A)	92009-1792	8
GROMMET (Ref # 92071)	92071-1131	2
DAMPER (Ref # 92075)	92075-1629	2
DAMPER (Ref # 92160)	92160-1944	1