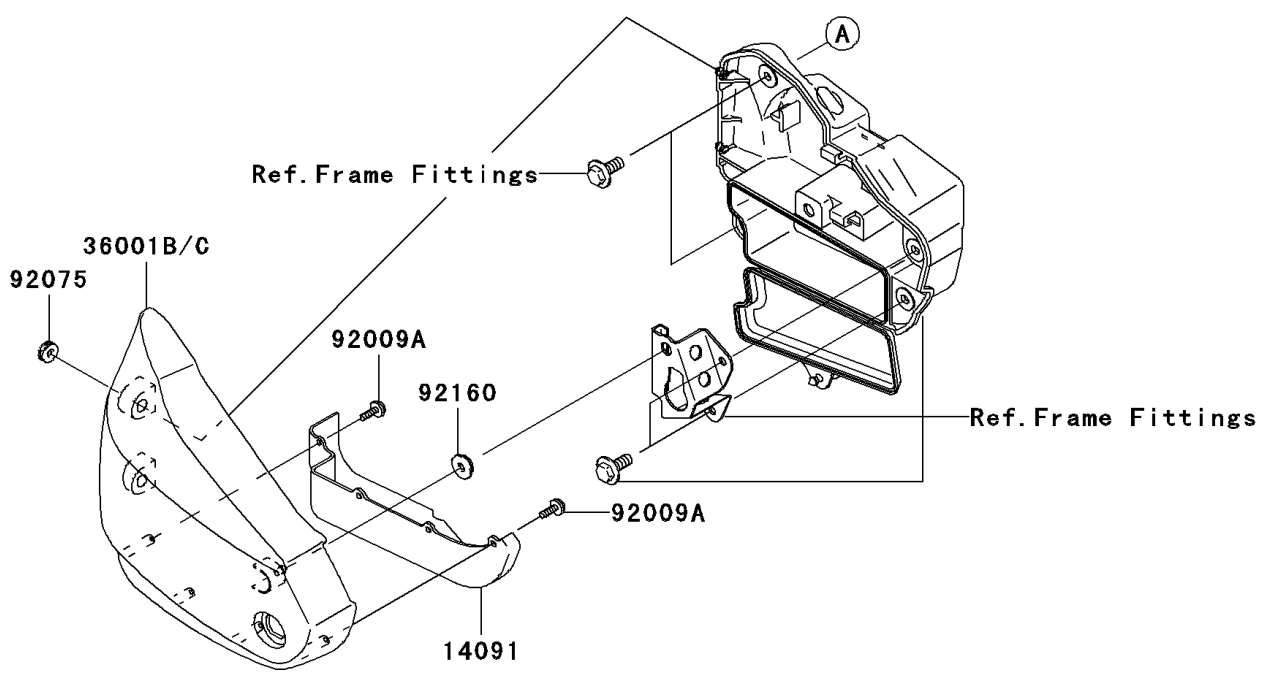
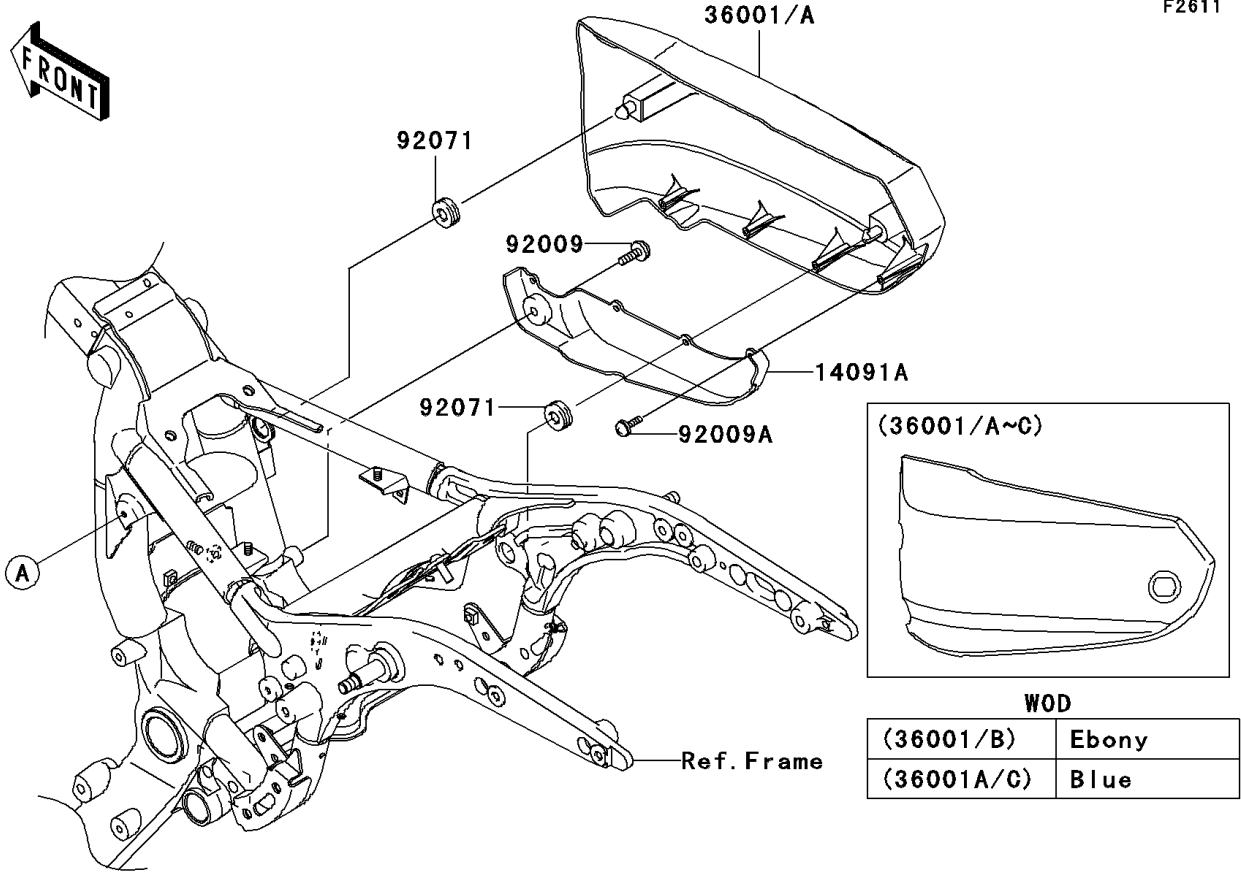


2005 Vulcan 1600 Nomad PARTS DIAGRAM

Side Covers

F2611



2005 Vulcan 1600 Nomad PARTS LIST

Side Covers

ITEM NAME	PART NUMBER	QUANTITY
COVER,SIDE COVER,LH (Ref # 14091)	14091-1343	1
COVER,SIDE COVER,RH (Ref # 14091A)	14091-1344	1
COVER-SIDE,RH,EBONY (Ref # 36001)	36001-0057-H8	1
COVER-SIDE,RH,M.O.BLUE (Ref # 36001A)	36001-0057-726	1
COVER-SIDE,LH,EBONY (Ref # 36001B)	36001-1684-H8	1
COVER-SIDE,LH,M.O.BLUE (Ref # 36001C)	36001-1684-726	1
SCREW,6X14 (Ref # 92009)	92009-1662	1
SCREW,TAPPING,4X14 (Ref # 92009A)	92009-1792	8
GROMMET (Ref # 92071)	92071-1131	2
DAMPER (Ref # 92075)	92075-1629	2
DAMPER (Ref # 92160)	92160-1944	1