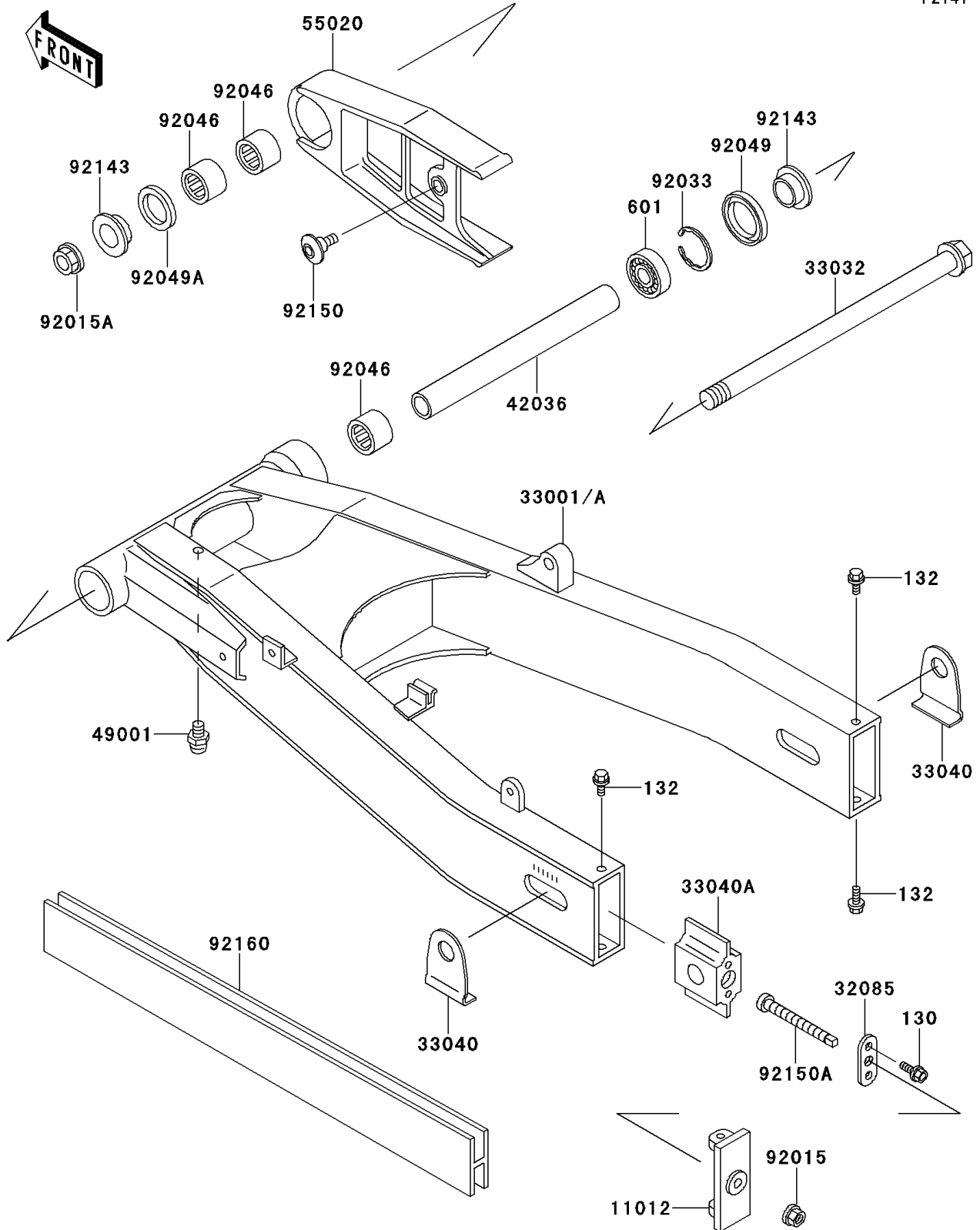


1990 Ninja® ZX™-6 PARTS DIAGRAM

Swing Arm

F2141



1990 Ninja® ZX™-6 PARTS LIST

Swing Arm

ITEM NAME	PART NUMBER	QUANTITY
BOLT-FLANGED (Ref # 130)	130B0614	4
BOLT-FLANGED-SMALL (Ref # 132)	132G0612	4
BEARING-BALL,#6004 (Ref # 601)	601A6004	1
CAP,CHAIN ADJUSTER (Ref # 11012)	11012-1704	2
STOPPER,CHAIN ADJUSTER (Ref # 32085)	32085-1317	2
SHAFT-SWING ARM (Ref # 33032)	33032-1152	1
ADJUSTER-CHAIN,OUTSIDE (Ref # 33040)	33040-1094	2
ADJUSTER-CHAIN,INSIDE (Ref # 33040A)	33040-1103	2
SLEEVE,SWING ARM,L=203.5 (Ref # 42036)	42036-1266	1
NIPPLE-GREASE,ROD BOLT (Ref # 49001)	49001-1051	1
GUARD,CHAIN (Ref # 55020)	55020-1370	1
NUT,8MM (Ref # 92015)	92015-1143	2
NUT,FLANGED,20MM (Ref # 92015A)	92015-1724	1
RING-SNAP,42MM (Ref # 92033)	92033-1041	1
BEARING-NEEDLE,BM283417 (Ref # 92046)	92046-1111	3
SEAL-OIL,MHSA25 42 6 (Ref # 92049)	92049-1314	1
SEAL-OIL (Ref # 92049A)	92049-1352	1
COLLAR,SWING ARM,L=12.5 (Ref # 92143)	92143-1227	2
BOLT,SOCKET,6MM (Ref # 92150)	92150-1154	1
BOLT,CHAIN ADJUSTER (Ref # 92150A)	92150-1285	2
DAMPER,SWING ARM (Ref # 92160)	92160-1092	1
ARM-COMP-SWING,G.GRAY (Ref # 33001)	33001-1356-GD	1
ARM-COMP-SWING,G.GRAY (Ref # 33001A)	33001-1356-HN	1