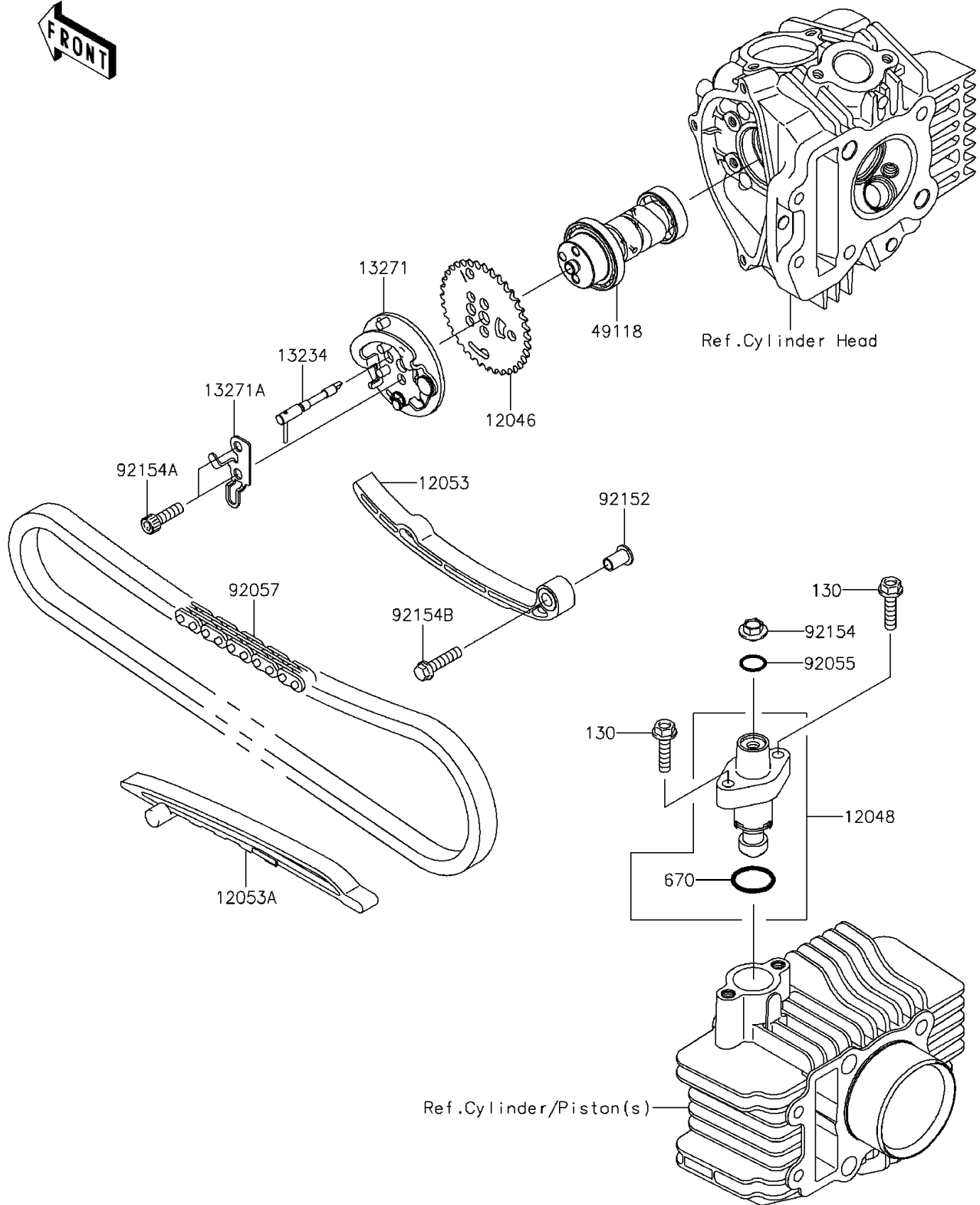


# 2013 KAZE HIT PARTS DIAGRAM

Camshaft(s)/Tensioner

E1230



## 2013 KAZE HIT PARTS LIST

### Camshaft(s)/Tensioner

ITEM NAME	PART NUMBER	QUANTITY
BOLT-FLANGED,6X25 (Ref # 130)	130BA0625	2
O RING,21MM (Ref # 670)	670D2021	1
SPROCKET (Ref # 12046)	12046-0059	1
TENSIONER-ASSY (Ref # 12048)	12048-0036	1
GUIDE-CHAIN (Ref # 12053)	12053-0185	1
GUIDE-CHAIN (Ref # 12053A)	12053-1461	1
SHAFT-COMP (Ref # 13234)	13234-0590	1
PLATE (Ref # 13271)	13271-0948	1
PLATE (Ref # 13271A)	13271-0950	1
CAMSHAFT-COMP (Ref # 49118)	49118-0769	1
RING-O,9.8X2.4 (Ref # 92055)	92055-0060	1
CHAIN,CAM,94L (Ref # 92057)	92057-0564	1
COLLAR,CHAIN GUIDE (Ref # 92152)	92152-1369	1
BOLT,FLANGED,6X6 (Ref # 92154)	92154-0536	1
BOLT,SOCKET,6X20 (Ref # 92154A)	92154-0790	2
BOLT,FLANGED,6X25 (Ref # 92154B)	92154-1156	1