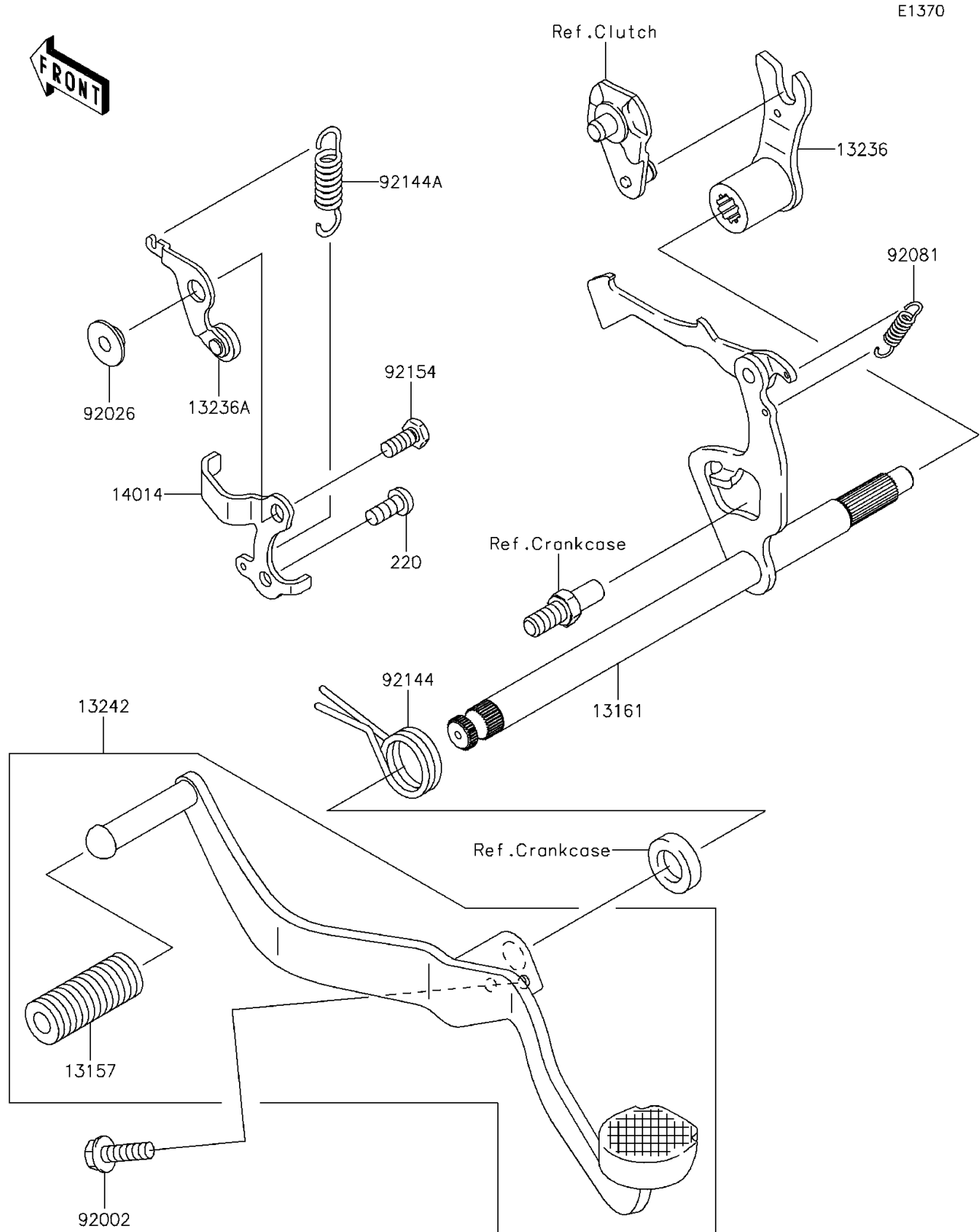


2013 KAZE HIT PARTS DIAGRAM

Gear Change Mechanism



2013 KAZE HIT PARTS LIST

Gear Change Mechanism

| ITEM NAME | PART NUMBER | QUANTITY |
|--|-------------|----------|
| SCREW-PAN-CROS,6X14 (Ref # 220) | 220AA0614 | 1 |
| DAMPER,CHANGE PEDAL (Ref # 13157) | 13157-004 | 1 |
| LEVER-COMP-CHANGE SHAFT (Ref # 13161) | 13161-0079 | 1 |
| LEVER-COMP (Ref # 13236) | 13236-0717 | 1 |
| LEVER-COMP,POSITION (Ref # 13236A) | 13236-1256 | 1 |
| LEVER-ASSY-CHANGE (Ref # 13242) | 13242-0073 | 1 |
| PLATE-POSITION (Ref # 14014) | 14014-1118 | 1 |
| BOLT,6X20 (Ref # 92002) | 92002-1237 | 1 |
| SPACER (Ref # 92026) | 92026-1217 | 1 |
| SPRING,CHANGE LEVER (Ref # 92081) | 92081-076 | 1 |
| SPRING,CHANGE SHAFT RETURN (Ref # 92144) | 92144-1107 | 1 |
| SPRING (Ref # 92144A) | 92144-1590 | 1 |
| BOLT,6X14 (Ref # 92154) | 92154-0788 | 1 |