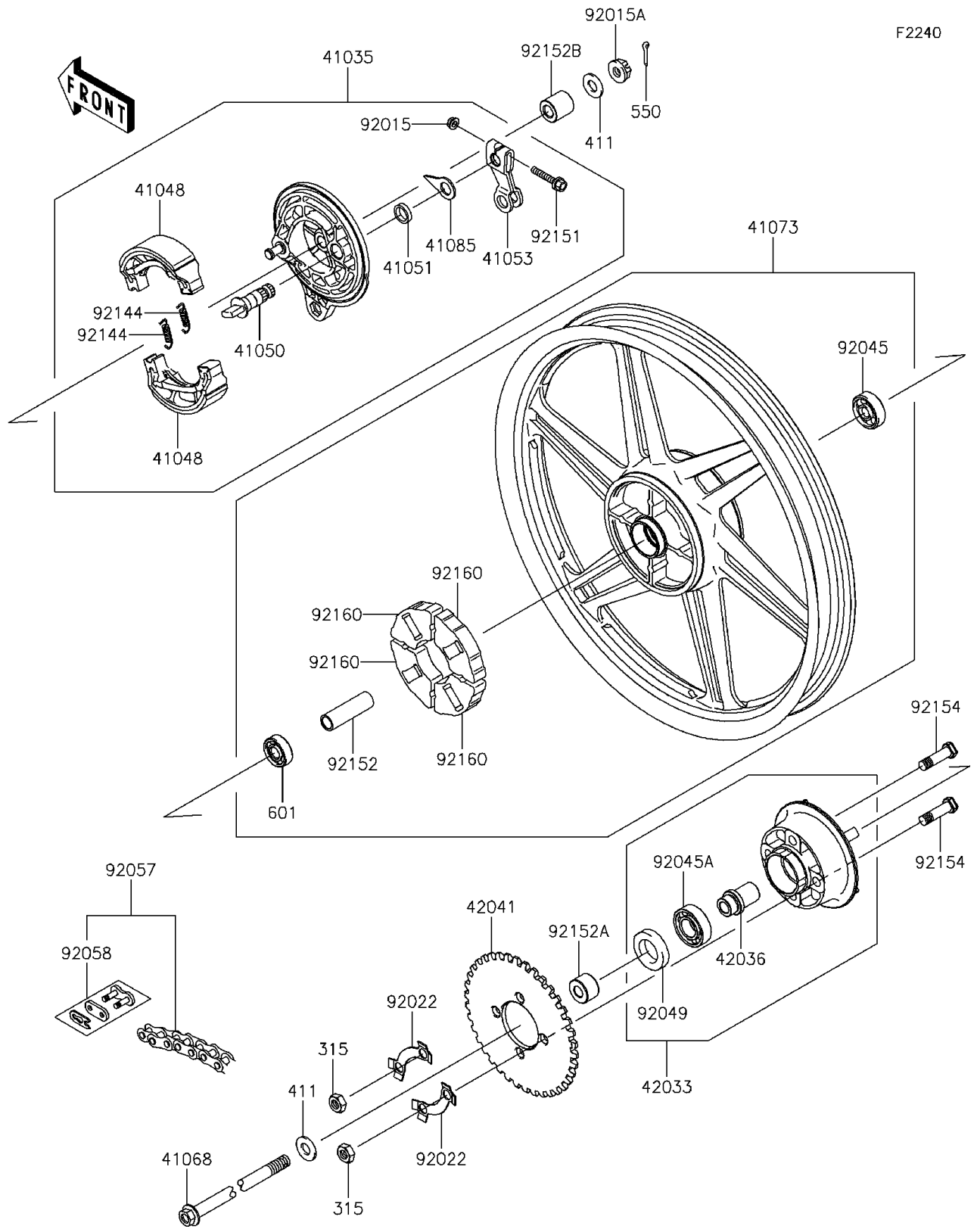


2013 KAZE HIT PARTS DIAGRAM

Rear Hub



2013 KAZE HIT PARTS LIST

Rear Hub

| ITEM NAME | PART NUMBER | QUANTITY |
|---|----------------|----------|
| NUT-HEX-FINE,10MM (Ref # 315) | 315AA1000 | 4 |
| WASHER-PLAIN,12MM (Ref # 411) | 411AA1200 | 2 |
| PIN-COTTER,3.0X25 (Ref # 550) | 550AA3025 | 1 |
| BEARING-BALL,#6201UG (Ref # 601) | 601B6201UG | 1 |
| PANEL-ASSY-BRAKE,RR,BLACK (Ref # 41035) | 41035-0085-10 | 1 |
| SHOE-BRAKE (Ref # 41048) | 41048-0008 | 2 |
| CAM-BRAKE (Ref # 41050) | 41050-1098 | 1 |
| SEAL,BRAKE CAM (Ref # 41051) | 41051-001 | 1 |
| LEVER-BRAKE CAM (Ref # 41053) | 41053-1089 | 1 |
| AXLE (Ref # 41068) | 41068-0082 | 1 |
| WHEEL-ASSY,RR,G.BLACK (Ref # 41073) | 41073-0570-21V | 1 |
| INDICATOR (Ref # 41085) | 41085-1079 | 1 |
| COUPLING-ASSY,RR HUB (Ref # 42033) | 42033-0024 | 1 |
| SLEEVE,RR HUB COUPLING,L=29 (Ref # 42036) | 42036-0041 | 1 |
| SPROCKET-HUB,38T (Ref # 42041) | 42041-0112 | 1 |
| NUT,FLANGED,6MM (Ref # 92015) | 92015-1367 | 1 |
| NUT,CASTLE,12MM (Ref # 92015A) | 92015-1870 | 1 |
| WASHER,LOCK (Ref # 92022) | 92022-1705 | 2 |
| BEARING-BALL,#6301DUC3E (Ref # 92045) | 92045-0714 | 1 |
| BEARING-BALL,#6004UG (Ref # 92045A) | 92045-0717 | 1 |
| SEAL-OIL,S 26 42 8 (Ref # 92049) | 92049-1428 | 1 |
| CHAIN,DRIVE,RK420SBX104L (Ref # 92057) | 92057-0162 | 1 |
| JOINT-CHAIN,DRIVE (Ref # 92058) | 92058-0020 | 1 |
| SPRING,BRAKE SHOE (Ref # 92144) | 92144-1907 | 2 |
| BOLT,FLANGED,6X34 (Ref # 92151) | 92151-1209 | 1 |
| COLLAR,RR BRAKE DRUM,L=58 (Ref # 92152) | 92152-0354 | 1 |
| COLLAR,RR AXLE,LH,L=17 (Ref # 92152A) | 92152-0452 | 1 |
| COLLAR,12.2X24X25 (Ref # 92152B) | 92152-0806 | 1 |
| BOLT,10X36 (Ref # 92154) | 92154-0770 | 4 |

2013 KAZE HIT PARTS LIST

Rear Hub

| ITEM NAME | PART NUMBER | QUANTITY |
|-----------------------------------|-------------|----------|
| DAMPER,SHOCK,RR HUB (Ref # 92160) | 92160-1627 | 4 |