

# 2006 KFX700 PARTS DIAGRAM

Headlight(s)

F2710



LH	(14091)
RH	(14091A)

14091/A

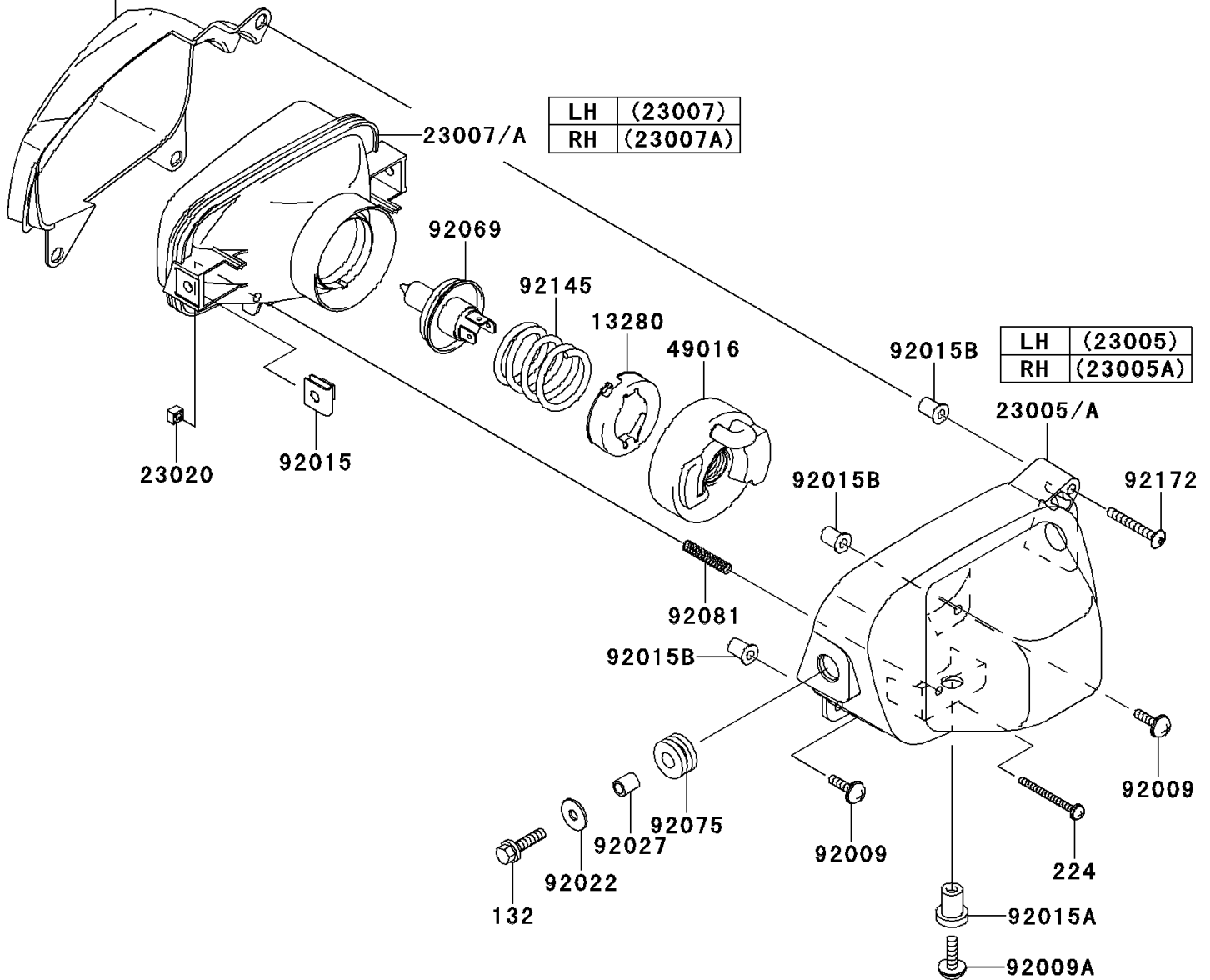
LH	(23007)
RH	(23007A)

23007/A

LH	(23005)
RH	(23005A)

92015B

23005/A



23020

92015

92069

92145

13280

49016

92015B

92172

92081

92015B

92009

132

92022

92027

92075

92009

224

92015A

92009A

## 2006 KFX700 PARTS LIST

### Headlight(s)

ITEM NAME	PART NUMBER	QUANTITY
BOLT-FLANGED-SMALL,6X25 (Ref # 132)	132BA0625	4
SCREW-PAN-WP-CROS,4X45 (Ref # 224)	224AA0445	2
HOLDER,BULB SETTING (Ref # 13280)	13280-1198	2
COVER,HEAD LAMP GRILL,LH,BLACK (Ref # 14091)	14091-0061-6Z	1
COVER,HEAD LAMP GRILL,RH,BLACK (Ref # 14091A)	14091-0062-6Z	1
BODY-COMP-HEAD LAMP,LH (Ref # 23005)	23005-1180	1
BODY-COMP-HEAD LAMP,RH (Ref # 23005A)	23005-1181	1
LENS-COMP,HEAD LAMP,LH (Ref # 23007)	23007-1389	1
LENS-COMP,HEAD LAMP,RH (Ref # 23007A)	23007-1390	1
NUT,4MM,FOCUS ADJUST (Ref # 23020)	23020-018	2
COVER-SEAL,HEAD LAMP (Ref # 49016)	49016-1213	2
SCREW,5X16,BLACK (Ref # 92009)	92009-1654	4
SCREW,6X22 (Ref # 92009A)	92009-1664	2
NUT,6MM (Ref # 92015)	92015-1094	4
NUT,RUBBER,6MM (Ref # 92015A)	92015-1692	2
NUT,WELL,5MM (Ref # 92015B)	92015-1757	6
WASHER,6.5X20X1.6 (Ref # 92022)	92022-125	4
COLLAR,6.8X10X12 (Ref # 92027)	92027-162	4
BULB,12V 45/45W,T15 (Ref # 92069)	92069-1114	2
DAMPER (Ref # 92075)	92075-1690	4
SPRING,FOCUS ADJUST (Ref # 92081)	92081-1896	2
SPRING,BULB SETTING (Ref # 92145)	92145-1346	2
SCREW,5X40 (Ref # 92172)	92172-0063	2