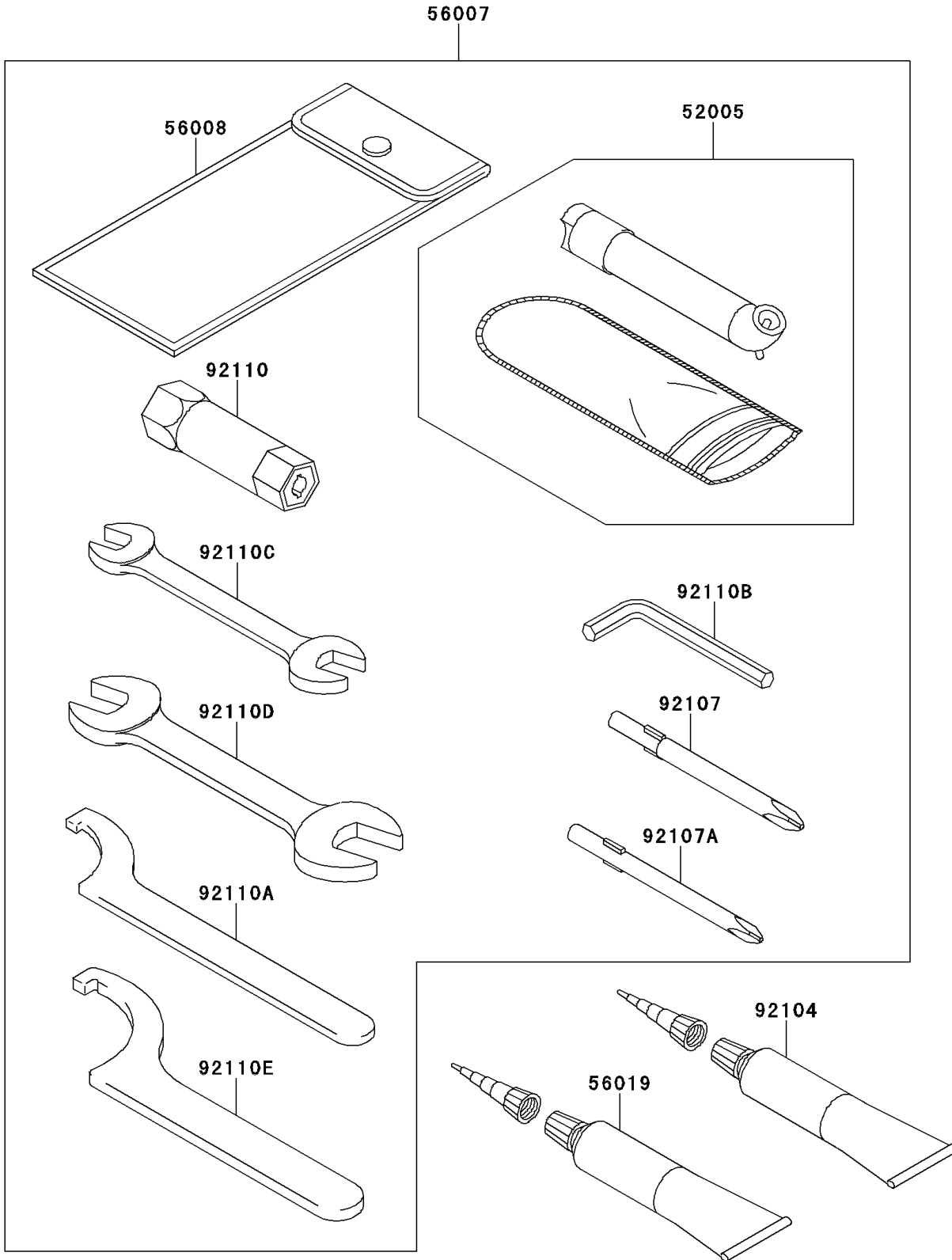


2006 KFX700 PARTS DIAGRAM

Owner's Tools

F2810



2006 KFX700 PARTS LIST

Owner's Tools

| ITEM NAME | PART NUMBER | QUANTITY |
|---|-------------|----------|
| GAUGE,AIR (Ref # 52005) | 52005-1082 | 1 |
| TOOL-KIT (Ref # 56007) | 56007-0001 | 1 |
| BAG,TOOL (Ref # 56008) | 56008-1007 | 1 |
| GASKET-LIQUID,TB1211,WHITE (Ref # 56019) | 56019-120 | 1 |
| GASKET-LIQUID,TB1215,GRAY (Ref # 92104) | 92104-1065 | 1 |
| TOOL-DRIVER,#3PHILLIPS (Ref # 92107) | 92107-005 | 1 |
| TOOL-DRIVER,#2PHILLIPS (Ref # 92107A) | 92107-1053 | 1 |
| TOOL-WRENCH,BOX,16MM (Ref # 92110) | 92110-1116 | 1 |
| TOOL-WRENCH,HOOK (Ref # 92110A) | 92110-1129 | 1 |
| TOOL-WRENCH,ALLEN,3MM (Ref # 92110B) | 92110-1140 | 1 |
| TOOL-WRENCH,OPEN END,10X12 (Ref # 92110C) | 92110-1152 | 1 |
| TOOL-WRENCH,OPEN END,14X17 (Ref # 92110D) | 92110-1153 | 1 |
| TOOL-WRENCH,HOOK (Ref # 92110E) | 92110-1173 | 1 |