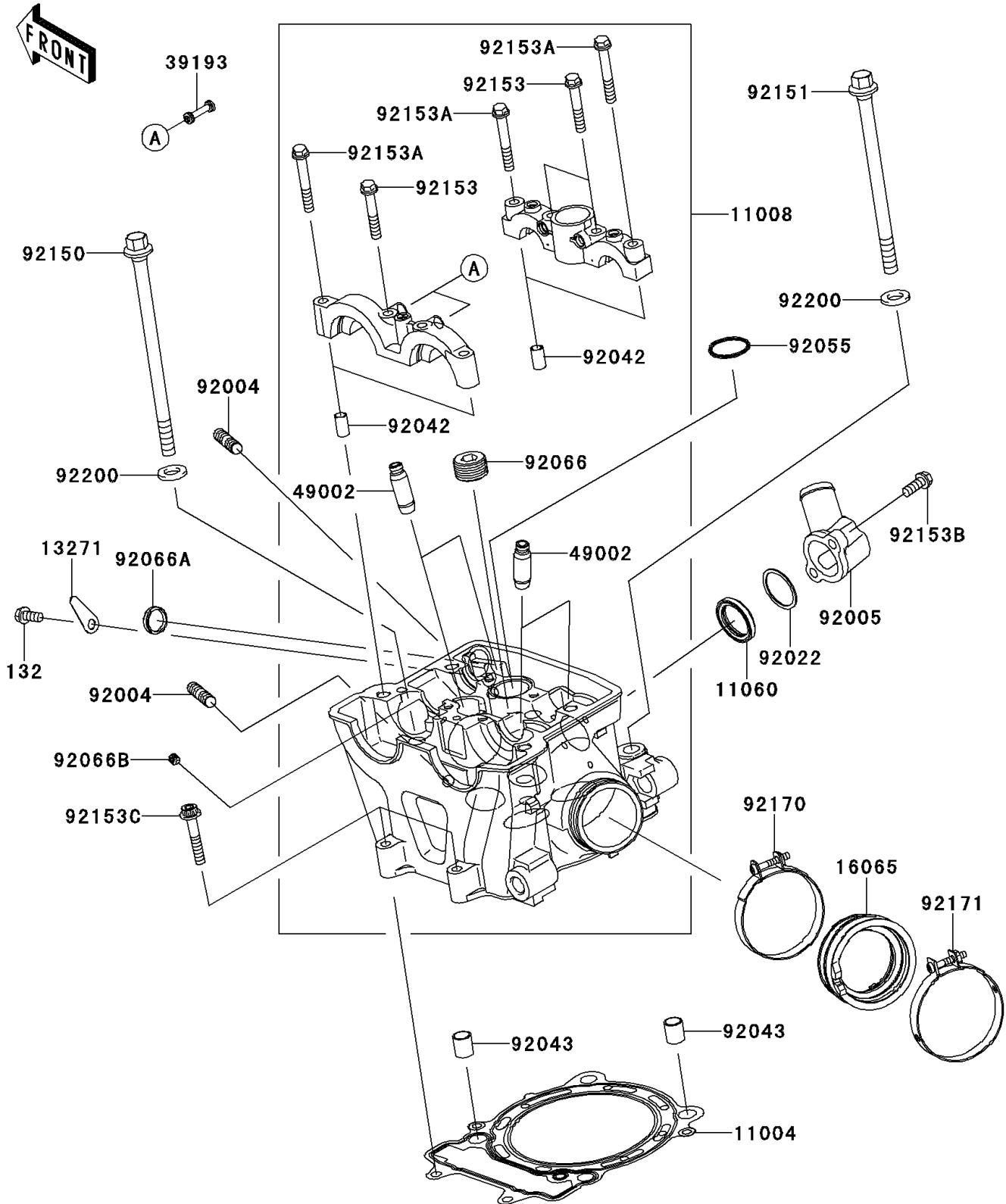


# 2010 KFX<sup>®</sup> 450R PARTS DIAGRAM

Cylinder Head

E1111



## 2010 KFX® 450R PARTS LIST

### Cylinder Head

ITEM NAME	PART NUMBER	QUANTITY
BOLT-FLANGED-SMALL,6X12 (Ref # 132)	132BB0612	1
GASKET-HEAD (Ref # 11004)	11004-0073	1
HEAD-COMP-CYLINDER (Ref # 11008)	11008-0143	1
GASKET,THERMOSTAT (Ref # 11060)	11060-1300	1
PLATE (Ref # 13271)	13271-0675	1
HOLDER-CARBURETOR (Ref # 16065)	16065-0031	1
PIPE-OIL (Ref # 39193)	39193-0027	2
GUIDE-VALVE (Ref # 49002)	49002-0007	AR
STUD,8X22 (Ref # 92004)	92004-0025	2
FITTING (Ref # 92005)	92005-0018	1
WASHER,25.3X30X1 (Ref # 92022)	92022-161	1
PIN,DOWEL,6.3X8X14 (Ref # 92042)	92042-007	4
PIN,10.1X12X14 (Ref # 92043)	92043-4009	2
RING-O,23.5X2.0 (Ref # 92055)	92055-0046	1
PLUG,PT1/2X12.5 (Ref # 92066)	92066-0002	1
PLUG,4X18 (Ref # 92066A)	92066-0024	1
PLUG,6X6 (Ref # 92066B)	92066-0068	1
BOLT,L=148 (Ref # 92150)	92150-1934	2
BOLT,10X133 (Ref # 92151)	92151-1516	2
BOLT,6X38 (Ref # 92153)	92153-0338	4
BOLT,6X45 (Ref # 92153A)	92153-0339	4
BOLT,6X16 (Ref # 92153B)	92153-0695	2
BOLT,SOCKET,6X35 (Ref # 92153C)	92153-0810	2
CLAMP (Ref # 92170)	92170-1448	1
CLAMP,62MM (Ref # 92171)	92171-0857	1
WASHER,10.5X19X2.3 (Ref # 92200)	92200-0351	4