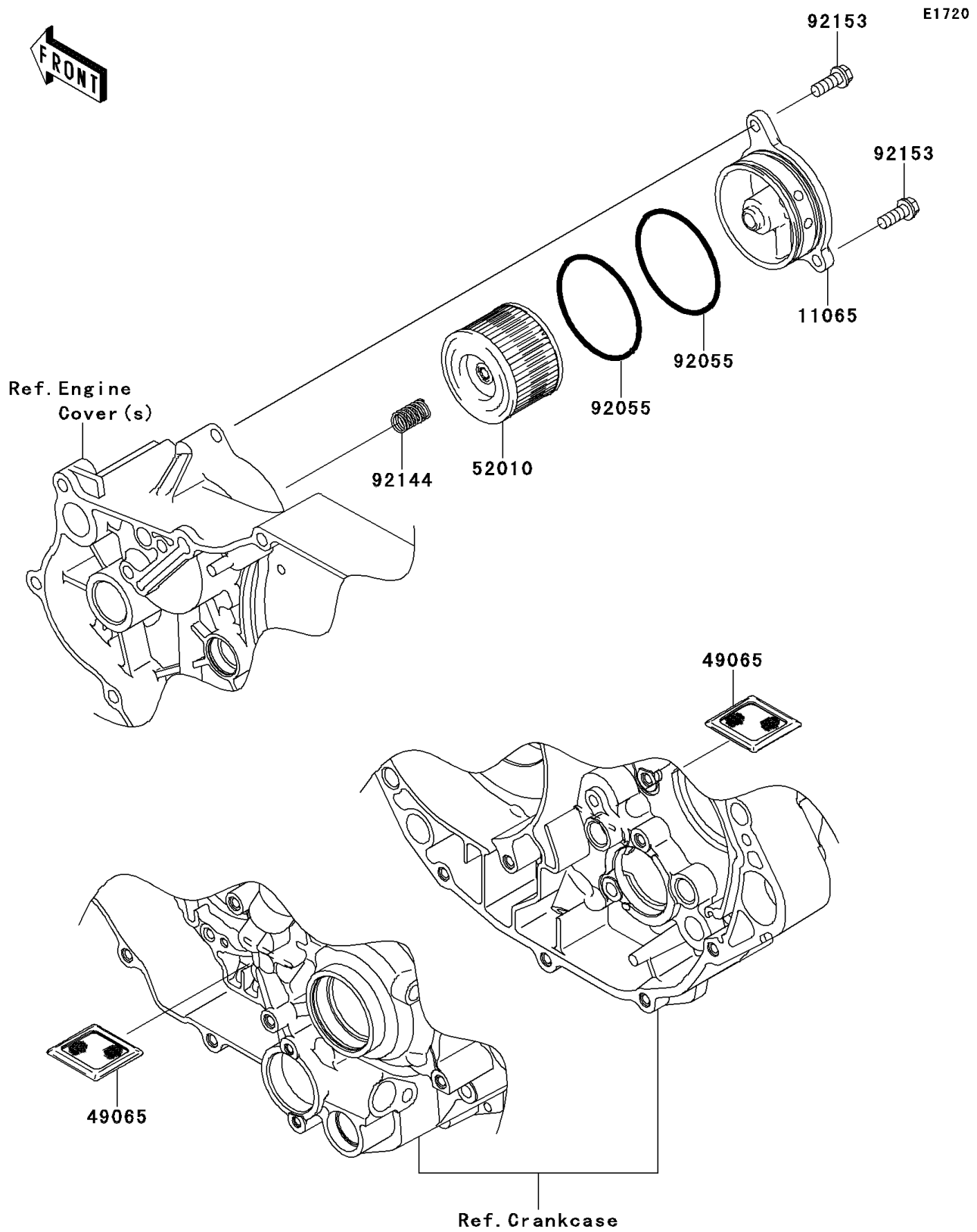


# 2009 KFX® 450R PARTS DIAGRAM

Oil Filter



## 2009 KFX® 450R PARTS LIST

### Oil Filter

ITEM NAME	PART NUMBER	QUANTITY
CAP,OIL FILTER (Ref # 11065)	11065-0107	1
FILTER-OIL,STRAINER (Ref # 49065)	49065-0019	2
ELEMENT-OIL FILTER (Ref # 52010)	52010-1053	1
RING-O,52.6X2.4 (Ref # 92055)	92055-1577	2
SPRING (Ref # 92144)	92144-1761	1
BOLT,6X16 (Ref # 92153)	92153-0695	2