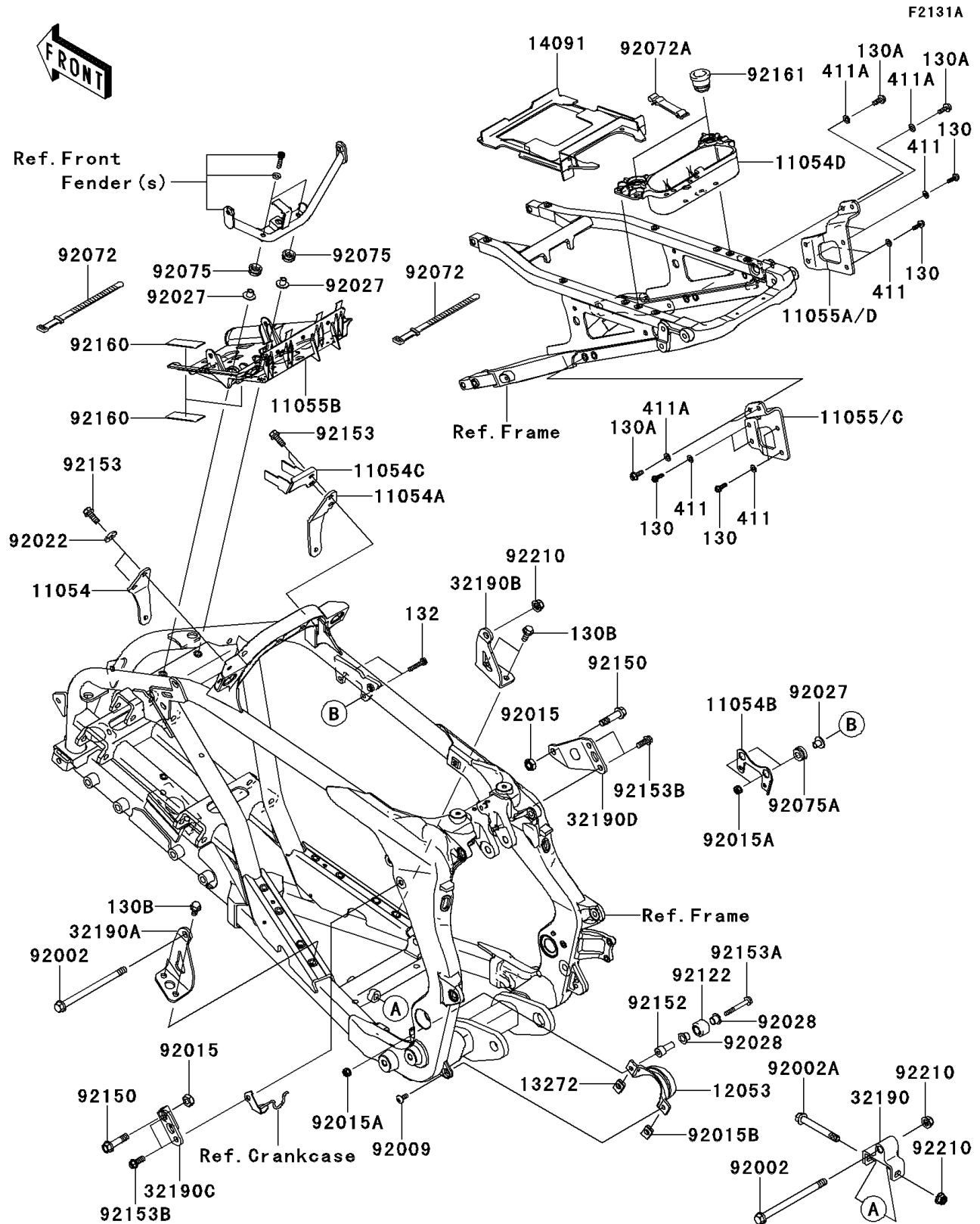


# 2009 KFX® 450R PARTS DIAGRAM

Frame Fittings(B9F/B9FB/BAF)



## 2009 KFX® 450R PARTS LIST

Frame Fittings(B9F/B9FB/BAF)

ITEM NAME	PART NUMBER	QUANTITY
BRACKET,PAD,UPP,LH (Ref # 11054)	11054-0279	1
BRACKET,PAD,UPP,RH (Ref # 11054A)	11054-0280	1
BRACKET,IGNITION COIL (Ref # 11054B)	11054-1805	1
BRACKET (Ref # 11054C)	11054-1819	1
BRACKET,TOOL CASE (Ref # 11054D)	11054-1881	1
BRACKET,ELECTRIC (Ref # 11055B)	11055-1003	1
BRACKET,AIR CLEANER BOX,LH (Ref # 11055C)	11055-1216	1
BRACKET,AIR CLEANER BOX,RH (Ref # 11055D)	11055-1217	1
GUIDE-CHAIN (Ref # 12053)	12053-0077	1
PLATE,CHAIN GUIDE (Ref # 13272)	13272-0080	1
COVER,AIR CLEANER (Ref # 14091)	14091-0744	1
BRACKET-ENGINE (Ref # 32190)	32190-0281	1
BRACKET-ENGINE,FR,LWR,LH (Ref # 32190A)	32190-0296	1
BRACKET-ENGINE,FR,LWR,RH (Ref # 32190B)	32190-0297	1
BRACKET-ENGINE,HEAD,LH (Ref # 32190C)	32190-0298	1
BRACKET-ENGINE,HEAD,RH (Ref # 32190D)	32190-0299	1
BOLT,10X145 (Ref # 92002)	92002-1348	2
BOLT,ARM,10MM (Ref # 92002A)	92002-1576	1
SCREW,6X15 (Ref # 92009)	92009-3830	1
NUT,LOCK,10MM,BLACK (Ref # 92015)	92015-1189	2
NUT,LOCK,FLANGED,6MM (Ref # 92015A)	92015-1339	3
NUT,6MM (Ref # 92015B)	92015-1602	1
WASHER,8.4X23X2.5 (Ref # 92022)	92022-3744	2
COLLAR,FLANGED,L=12.1,BLACK (Ref # 92027)	92027-1651	4
BUSHING (Ref # 92028)	92028-1507	2
BAND,L=186 (Ref # 92072)	92072-056	2
BAND (Ref # 92072A)	92072-1085	1
DAMPER (Ref # 92075)	92075-1634	2
DAMPER (Ref # 92075A)	92075-277	2

## 2009 KFX® 450R PARTS LIST

Frame Fittings(B9F/B9FB/BAF)

ITEM NAME	PART NUMBER	QUANTITY
ROLLER (Ref # 92122)	92122-0020	1
BOLT,FLANGED,10X40 (Ref # 92150)	92150-1711	2
COLLAR (Ref # 92152)	92152-0585	1
BOLT,8X20 (Ref # 92153)	92153-0892	4
BOLT,6X50,WHITE (Ref # 92153A)	92153-0925	1
BOLT,FLANGED,8X20 (Ref # 92153B)	92153-0995	4
DAMPER (Ref # 92160)	92160-1075	6
DAMPER (Ref # 92161)	92161-0048	2
NUT,LOCK,FLANGED,10MM (Ref # 92210)	92210-1080	3
BOLT-FLANGED,5X16 (Ref # 130)	130BA0516	8
BOLT-FLANGED,6X16 (Ref # 130A)	130BA0616	4
BOLT-FLANGED,8X18 (Ref # 130B)	130CD0818	4
BOLT-FLANGED-SMALL,6X30 (Ref # 132)	132BA0630	2
WASHER-PLAIN,5MM (Ref # 411)	411AA0500	8
WASHER-PLAIN,6.5X13X1 (Ref # 411A)	411AA0600	4