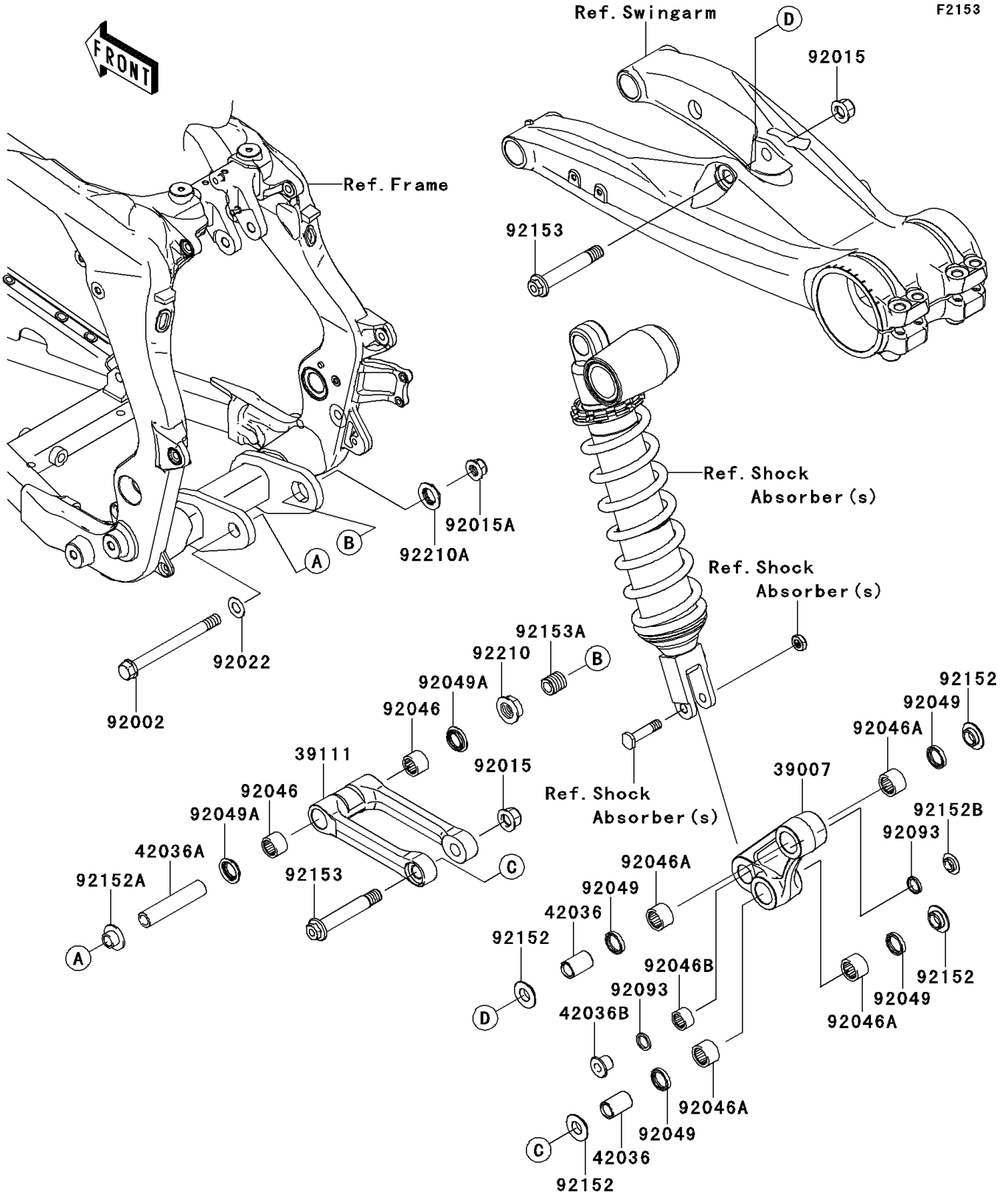


2009 KFX® 450R PARTS DIAGRAM

Rear Suspension



2009 KFX® 450R PARTS LIST

Rear Suspension

ITEM NAME	PART NUMBER	QUANTITY
ARM-SUSP,RR (Ref # 39007)	39007-0074	1
ROD-TIE,SUSPENSION (Ref # 39111)	39111-0047	1
SLEEVE (Ref # 42036)	42036-0038	2
SLEEVE,12X18X88 (Ref # 42036A)	42036-0039	1
SLEEVE (Ref # 42036B)	42036-1351	1
BOLT,FLANGED,12X135 (Ref # 92002)	92002-1347	1
NUT,FLANGED,14MM (Ref # 92015)	92015-1401	2
NUT,LOCK,FLANGED,12MM (Ref # 92015A)	92015-1433	1
WASHER (Ref # 92022)	92022-107	1
BEARING-NEEDLE,18BM2416 (Ref # 92046)	92046-1144	2
BEARING-NEEDLE,F-2016 (Ref # 92046A)	92046-1151	4
BEARING-NEEDLE,7E-HVS16X22X12 (Ref # 92046B)	92046-1301	1
SEAL-OIL,HF020N3-A (Ref # 92049)	92049-0027	4
SEAL-OIL (Ref # 92049A)	92049-1328	2
SEAL (Ref # 92093)	92093-1436	2
COLLAR (Ref # 92152)	92152-0403	4
COLLAR (Ref # 92152A)	92152-0404	1
COLLAR (Ref # 92152B)	92152-1139	1
BOLT,14MM,L=92 (Ref # 92153)	92153-0429	2
BOLT,20M (Ref # 92153A)	92153-1488	1
NUT,20M (Ref # 92210)	92210-0295	1
NUT,20M (Ref # 92210A)	92210-0296	1