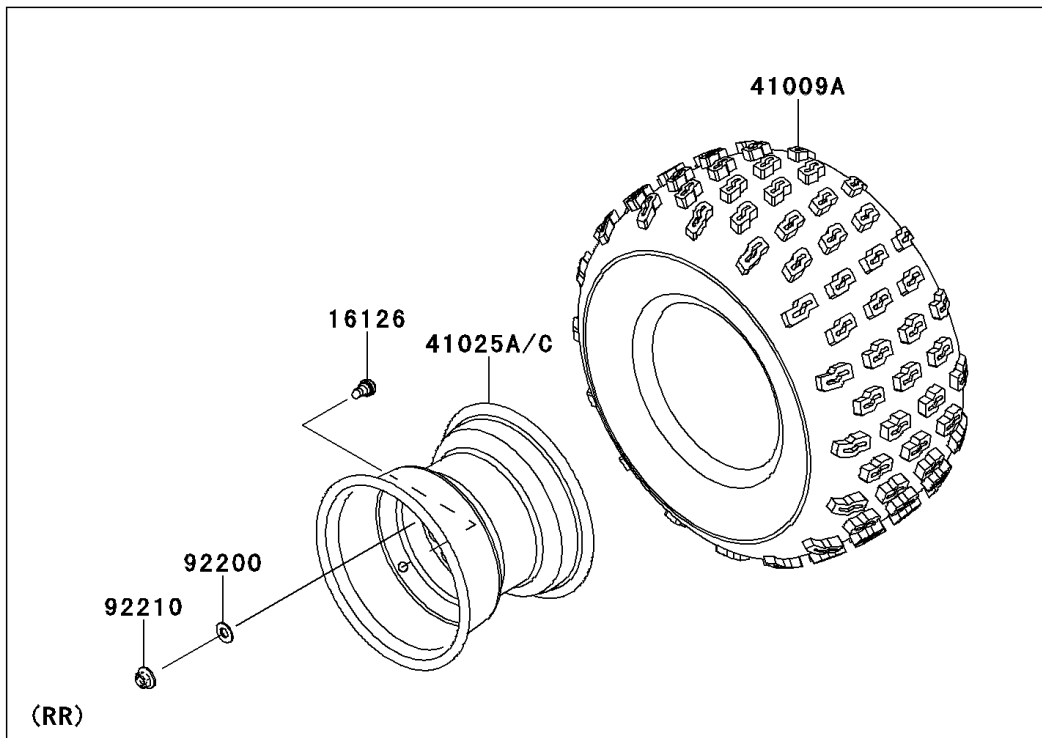
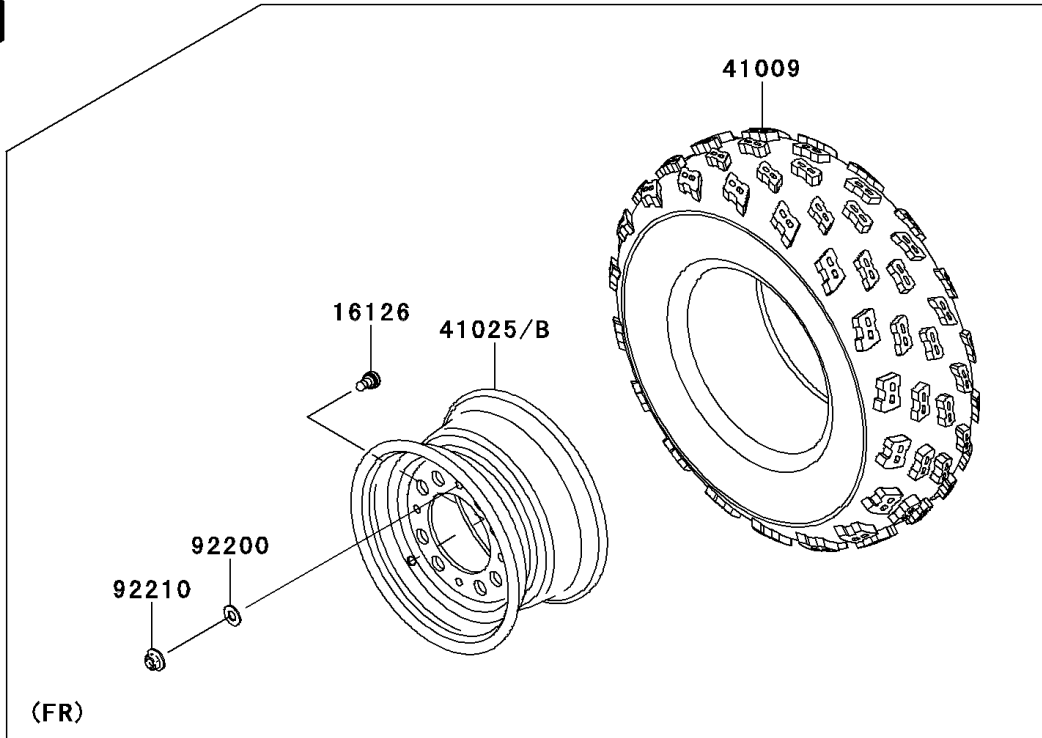


2008 KFX® 450R PARTS DIAGRAM

Wheels/Tires

F2210



2008 KFX® 450R PARTS LIST

Wheels/Tires

ITEM NAME	PART NUMBER	QUANTITY
-----------	-------------	----------