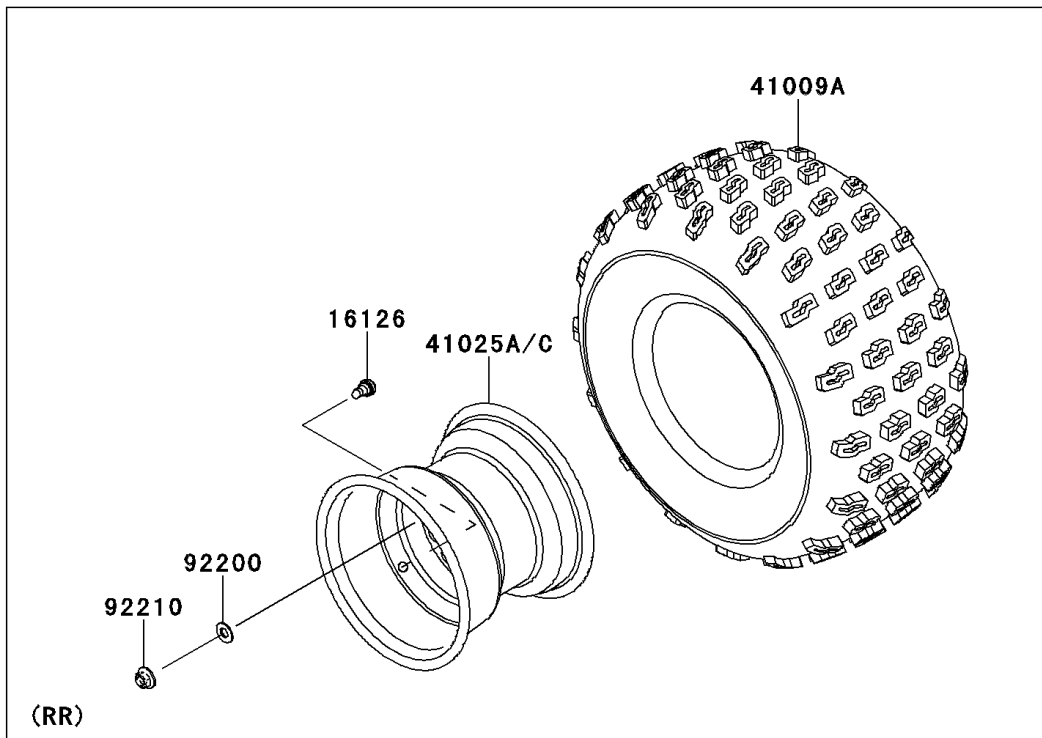
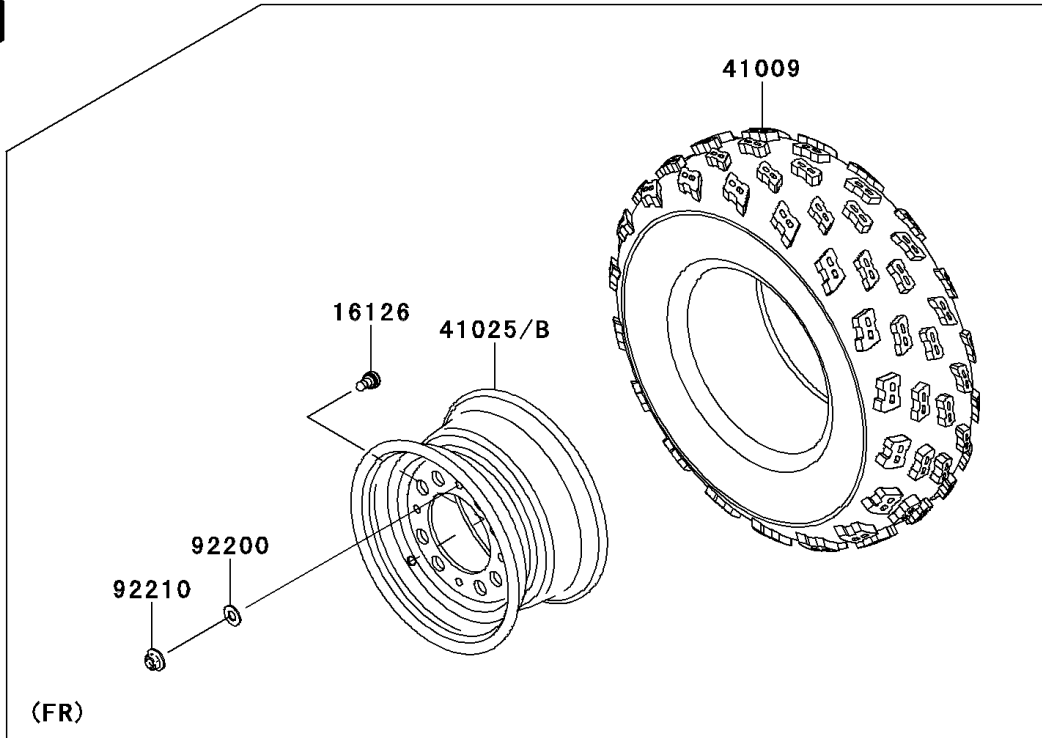


2010 KFX® 450R PARTS DIAGRAM

Wheels/Tires

F2210



2010 KFX® 450R PARTS LIST

Wheels/Tires

ITEM NAME	PART NUMBER	QUANTITY
VALVE (Ref # 16126)	16126-4001	4
TIRE,FR,AT21X7R10,KT391(D) (Ref # 41009)	41009-0120	2
TIRE,RR,AT20X10R9,KT396(D) (Ref # 41009A)	41009-0161	2
RIM,FR,10X5.5AT (Ref # 41025)	41025-0070	2
RIM,RR,9X8AT (Ref # 41025A)	41025-0071	2
WASHER,10.5X25X1.6 (Ref # 92200)	92200-1595	16
NUT,FLANGED,10MM (Ref # 92210)	92210-1325	16