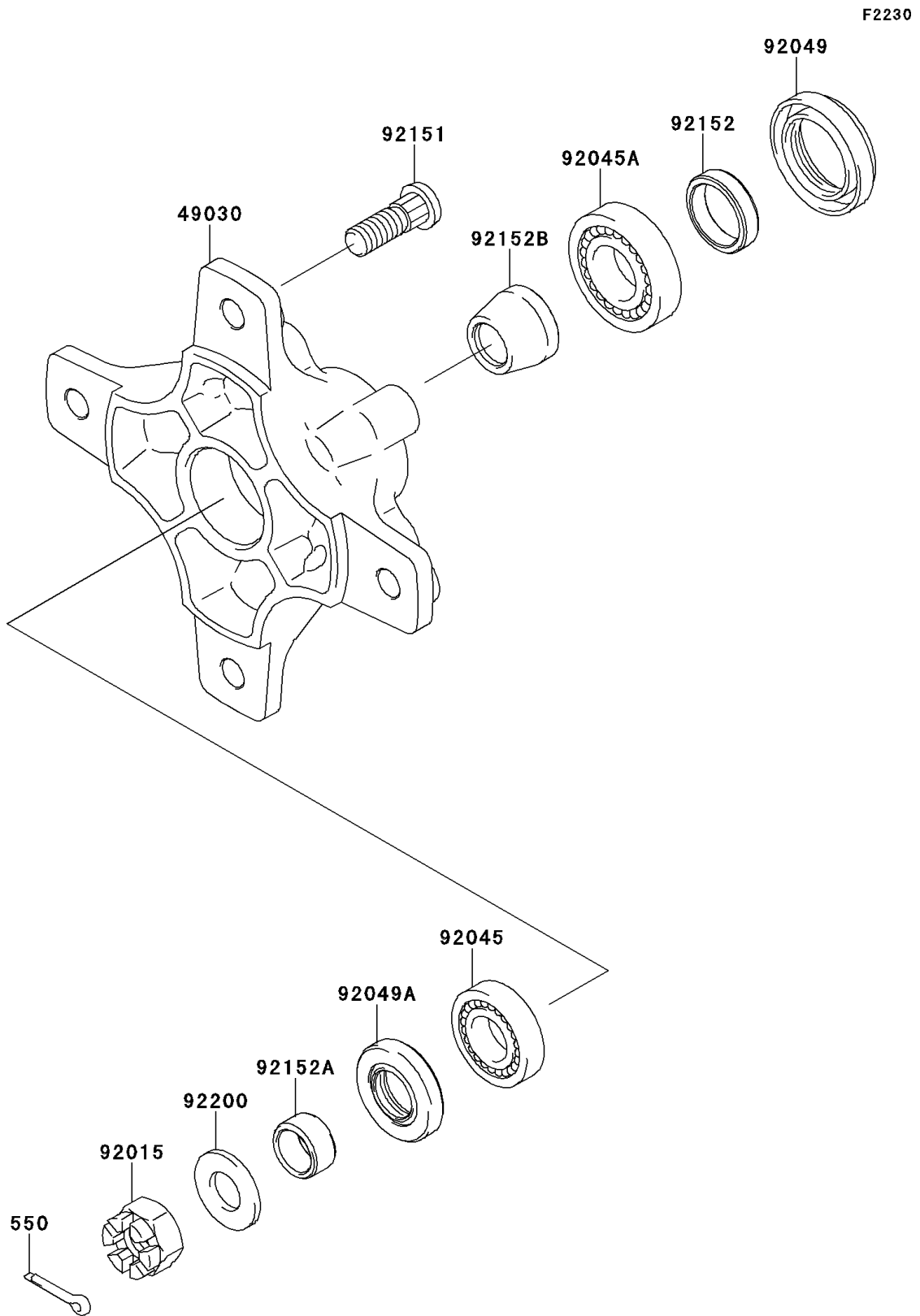


2009 KFX® 450R PARTS DIAGRAM

Front Hub



2009 KFX® 450R PARTS LIST

Front Hub

ITEM NAME	PART NUMBER	QUANTITY
PIN-COTTER,3.0X30 (Ref # 550)	550AA3030	2
HUB,FR (Ref # 49030)	49030-1142	2
NUT,CASTLE,14MM (Ref # 92015)	92015-1765	2
BEARING-BALL,62022RD (Ref # 92045)	92045-0112	2
BEARING-BALL,60042RD (Ref # 92045A)	92045-0113	2
SEAL-OIL,MT028N1 (Ref # 92049)	92049-1612	2
SEAL-OIL,MHSA20X35X7 (Ref # 92049A)	92049-1613	2
BOLT,10X29.5 (Ref # 92151)	92151-1392	8
COLLAR,22.2X28X7 (Ref # 92152)	92152-0437	2
COLLAR,15.2X20X16 (Ref # 92152A)	92152-0609	2
COLLAR (Ref # 92152B)	92152-1462	2
WASHER,14.2X28X2.5 (Ref # 92200)	92200-0392	2