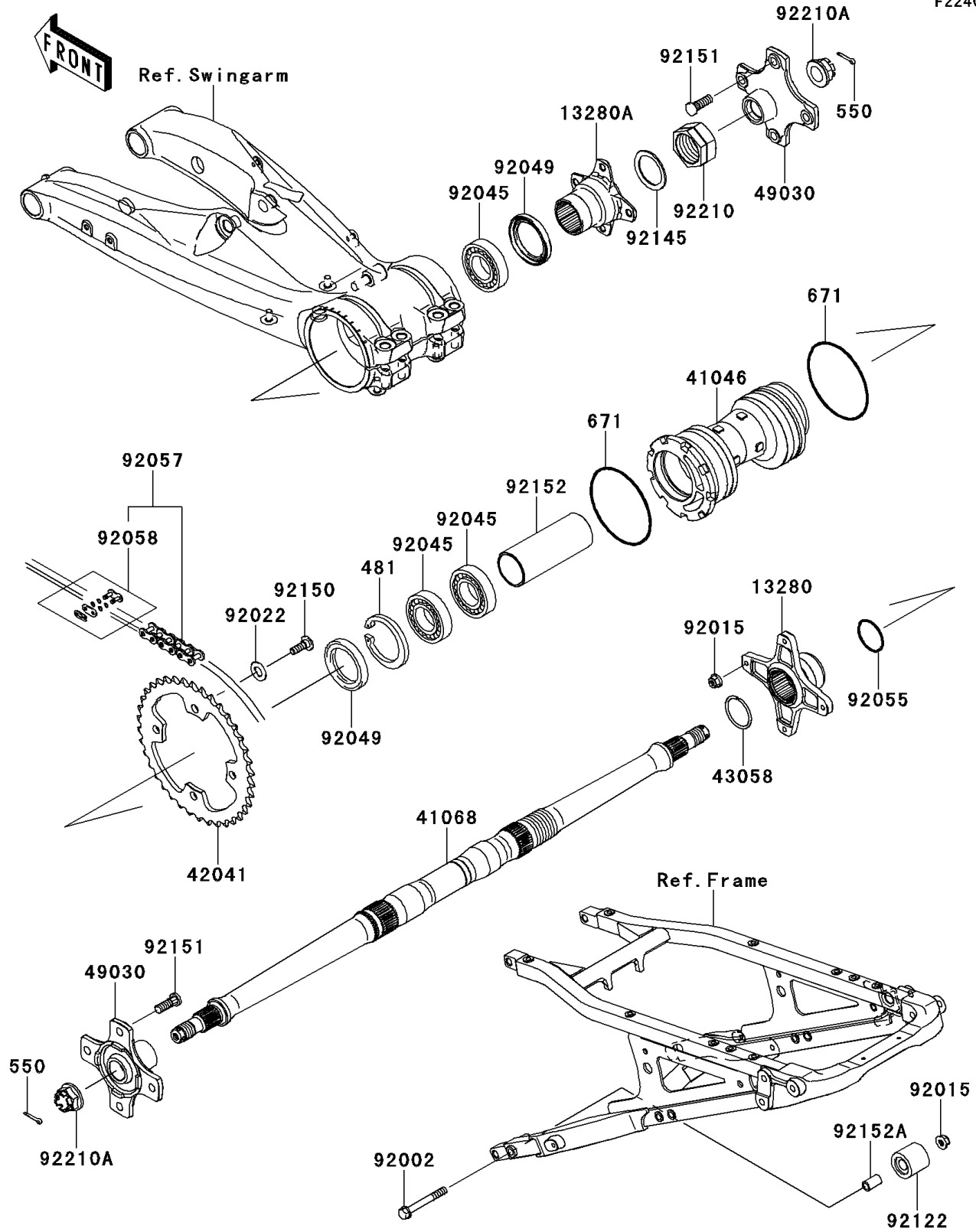


2009 KFX® 450R PARTS DIAGRAM

Rear Hub

F2240



2009 KFX® 450R PARTS LIST

Rear Hub

ITEM NAME	PART NUMBER	QUANTITY
CIRCLIP-TYPE-C,65MM (Ref # 481)	481J6500	1
PIN-COTTER,4.0X25 (Ref # 550)	550AA4025	2
O RING,85MM (Ref # 671)	671B2585	2
HOLDER,SPROCKET (Ref # 13280)	13280-0254	1
HOLDER,REAR DISC (Ref # 13280A)	13280-0255	1
HOUSING-BEARING (Ref # 41046)	41046-0015	1
AXLE,RR (Ref # 41068)	41068-0052	1
SPROCKET-HUB,38T (Ref # 42041)	42041-0044	1
RING (Ref # 43058)	43058-0016	1
HUB,RR (Ref # 49030)	49030-0029	2
BOLT,FLANGED,8X70 (Ref # 92002)	92002-1349	1
NUT,8MM (Ref # 92015)	92015-1432	5
WASHER,10.5X20X1 (Ref # 92022)	92022-239	4
BEARING-BALL,6908-82RSC3 (Ref # 92045)	92045-0115	3
SEAL-OIL,TCY 48X65X8 (Ref # 92049)	92049-1573	2
RING-O,35.2X1.9 (Ref # 92055)	92055-520	1
CHAIN,DRIVE,EK520SR-O2X94L (Ref # 92057)	92057-0119	1
JOINT-CHAIN,DRIVE,EK520SR-O2 (Ref # 92058)	92058-1060	1
ROLLER,CHAIN GUIDE (Ref # 92122)	92122-1216	1
SPRING (Ref # 92145)	92145-0417	1
BOLT,8X25 (Ref # 92150)	92150-1858	4
BOLT,10X29.5 (Ref # 92151)	92151-1392	8
COLLAR,40X45.6X117.5 (Ref # 92152)	92152-0405	1
COLLAR,8.5X12.5X20.5 (Ref # 92152A)	92152-1340	1
NUT,LOCK,38MM (Ref # 92210)	92210-0298	1
NUT,CASTLE,20MM (Ref # 92210A)	92210-0299	2