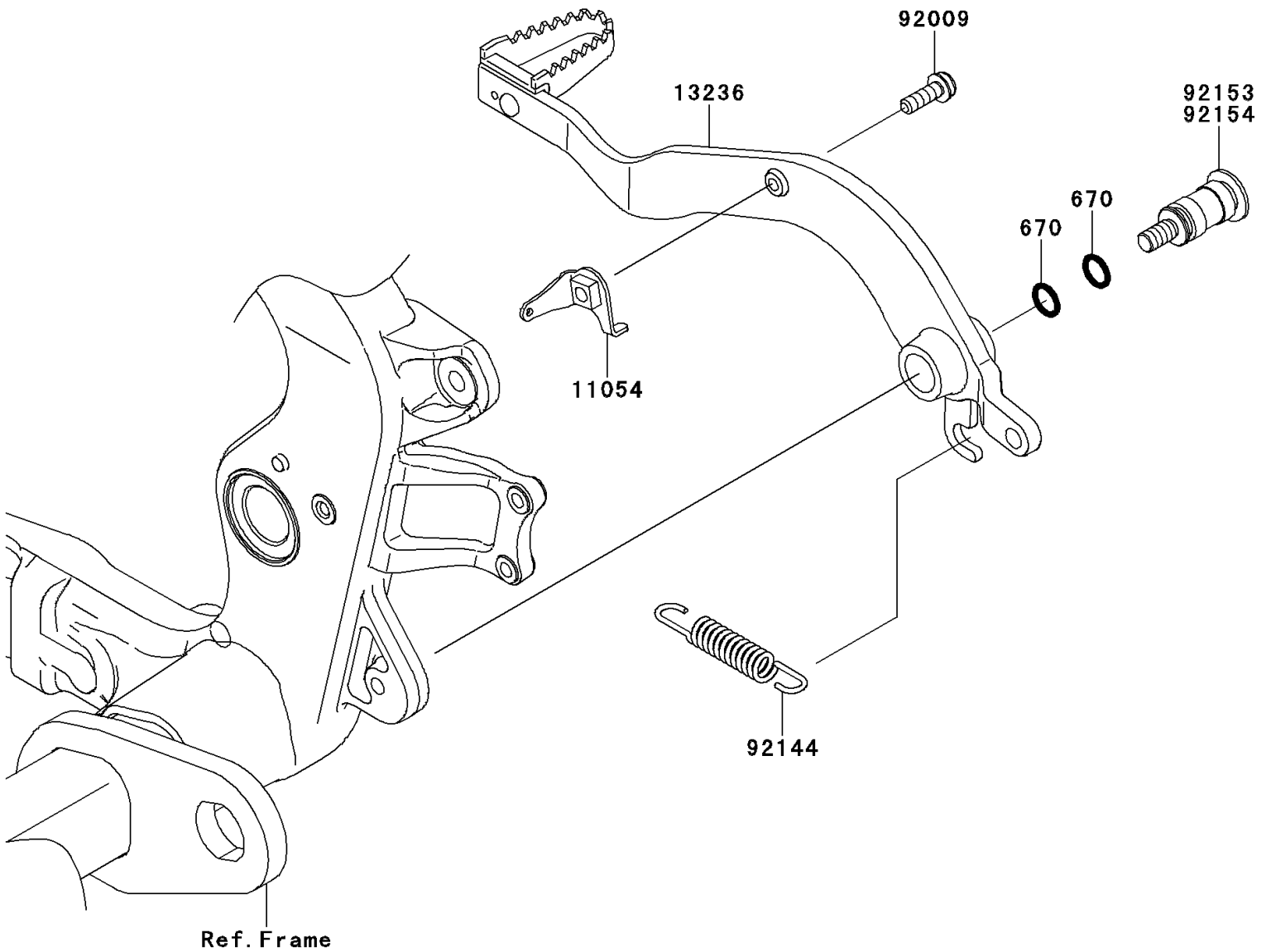


2009 KFX[®] 450R PARTS DIAGRAM

Brake Pedal

F2260



2009 KFX® 450R PARTS LIST

Brake Pedal

ITEM NAME	PART NUMBER	QUANTITY
O RING,12MM (Ref # 670)	670B2012	2
BRACKET,BRAKE SWITCH SPRING (Ref # 11054)	11054-1271	1
LEVER-COMP,BRAKE PEDAL (Ref # 13236)	13236-0105	1
SCREW,6X20 (Ref # 92009)	92009-3848	1
SPRING (Ref # 92144)	92144-1266	1
BOLT (Ref # 92154)	92154-0025	1