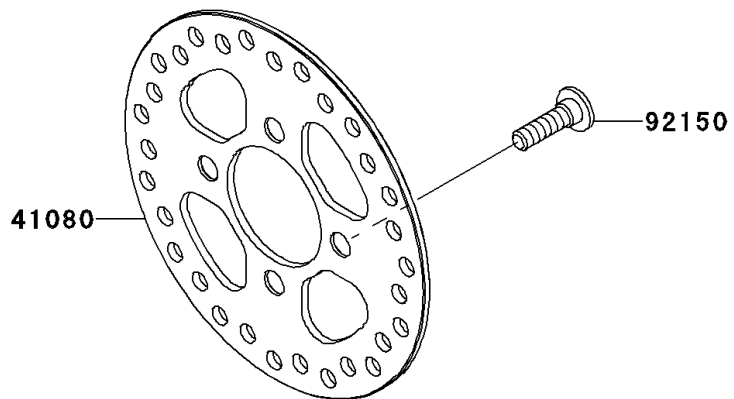
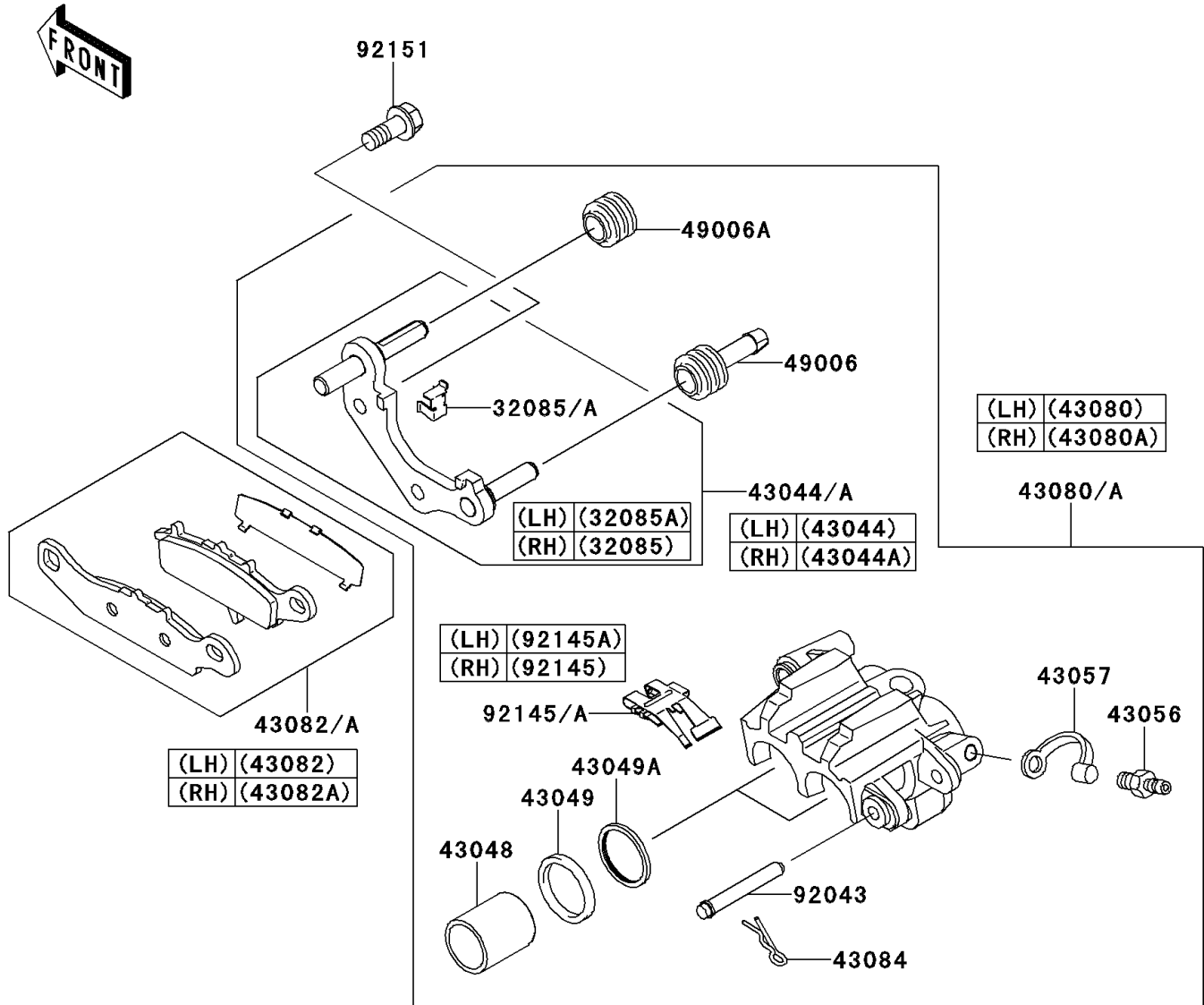


# 2008 KFX® 450R PARTS DIAGRAM

Front Brake

F2292



# 2008 KFX® 450R PARTS LIST

Front Brake

ITEM NAME	PART NUMBER	QUANTITY
-----------	-------------	----------