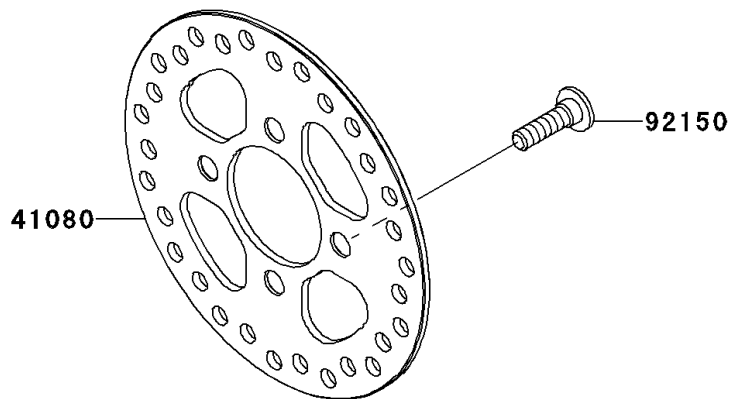
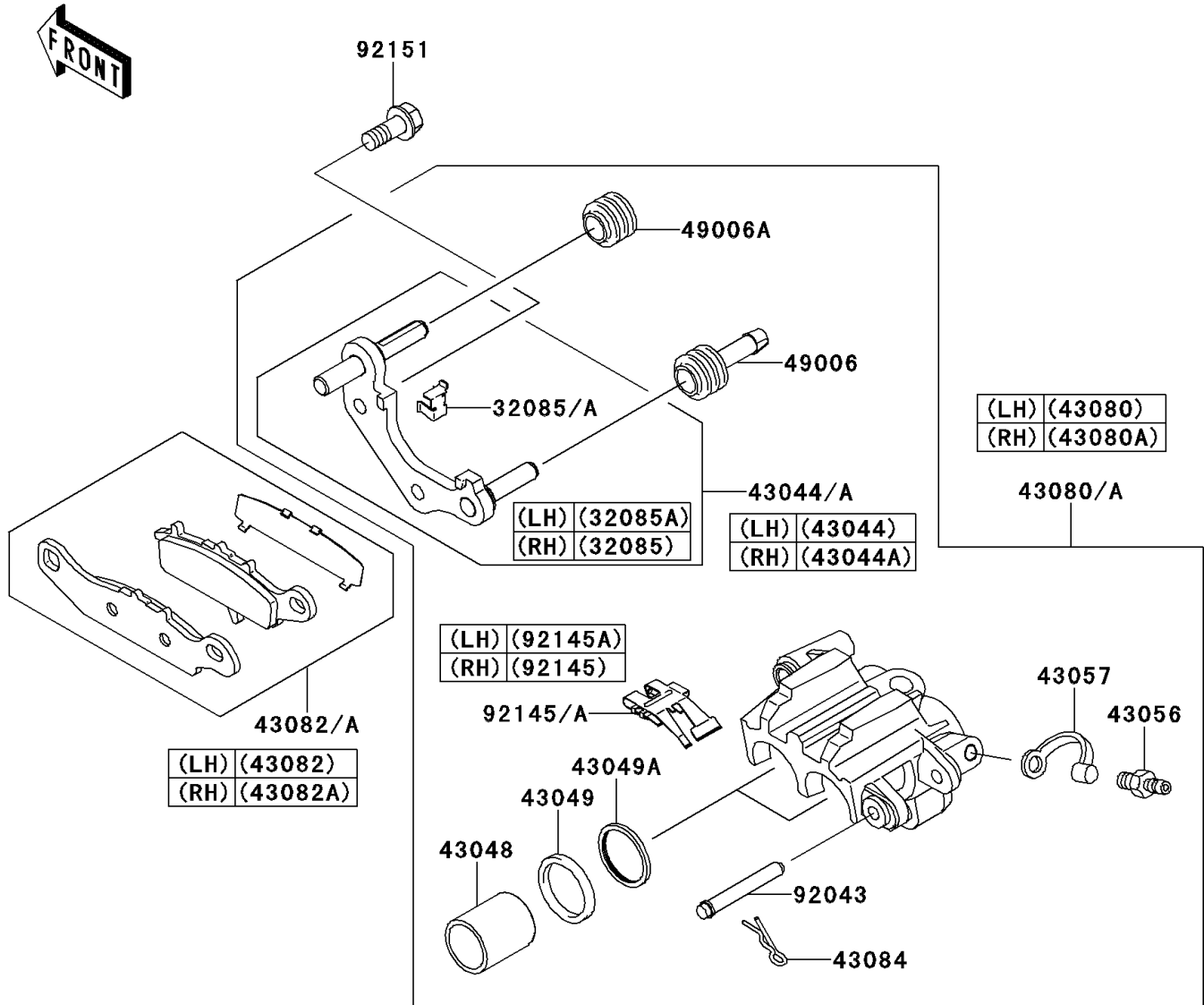


# 2009 KFX® 450R PARTS DIAGRAM

Front Brake

F2292



## 2009 KFX® 450R PARTS LIST

### Front Brake

ITEM NAME	PART NUMBER	QUANTITY
STOPPER,RH (Ref # 32085)	32085-1437	1
STOPPER,LH (Ref # 32085A)	32085-1517	1
DISC,FR (Ref # 41080)	41080-1534	2
HOLDER-COMP-CALIPER,FR,LH (Ref # 43044)	43044-0010	1
HOLDER-COMP-CALIPER,FR,RH (Ref # 43044A)	43044-0011	1
PISTON-CALIPER (Ref # 43048)	43048-0007	4
PACKING,PISTON (Ref # 43049)	43049-0008	4
PACKING,WIPER (Ref # 43049A)	43049-0009	4
BREATHER-BRAKE (Ref # 43056)	43056-1054	2
CAP-BREATHER (Ref # 43057)	43057-003	2
CALIPER-SUB-ASSY,FR,LH (Ref # 43080)	43080-0056	1
CALIPER-SUB-ASSY,FR,RH (Ref # 43080A)	43080-0057	1
PAD-ASSY-BRAKE,FR,LH (Ref # 43082)	43082-0077	1
PAD-ASSY-BRAKE,FR,RH (Ref # 43082A)	43082-0078	1
CLAMP,PAD (Ref # 43084)	43084-003	2
BOOT,CALIPER (Ref # 49006)	49006-1054	2
BOOT,CALIPER (Ref # 49006A)	49006-1055	2
PIN,PAD (Ref # 92043)	92043-1356	2
SPRING,PAD,RH (Ref # 92145)	92145-1260	1
SPRING,PAD,LH (Ref # 92145A)	92145-1354	1
BOLT,SOCKET,8X30 (Ref # 92150)	92150-1771	8
BOLT,FLANGED,8X19 (Ref # 92151)	92151-1793	4