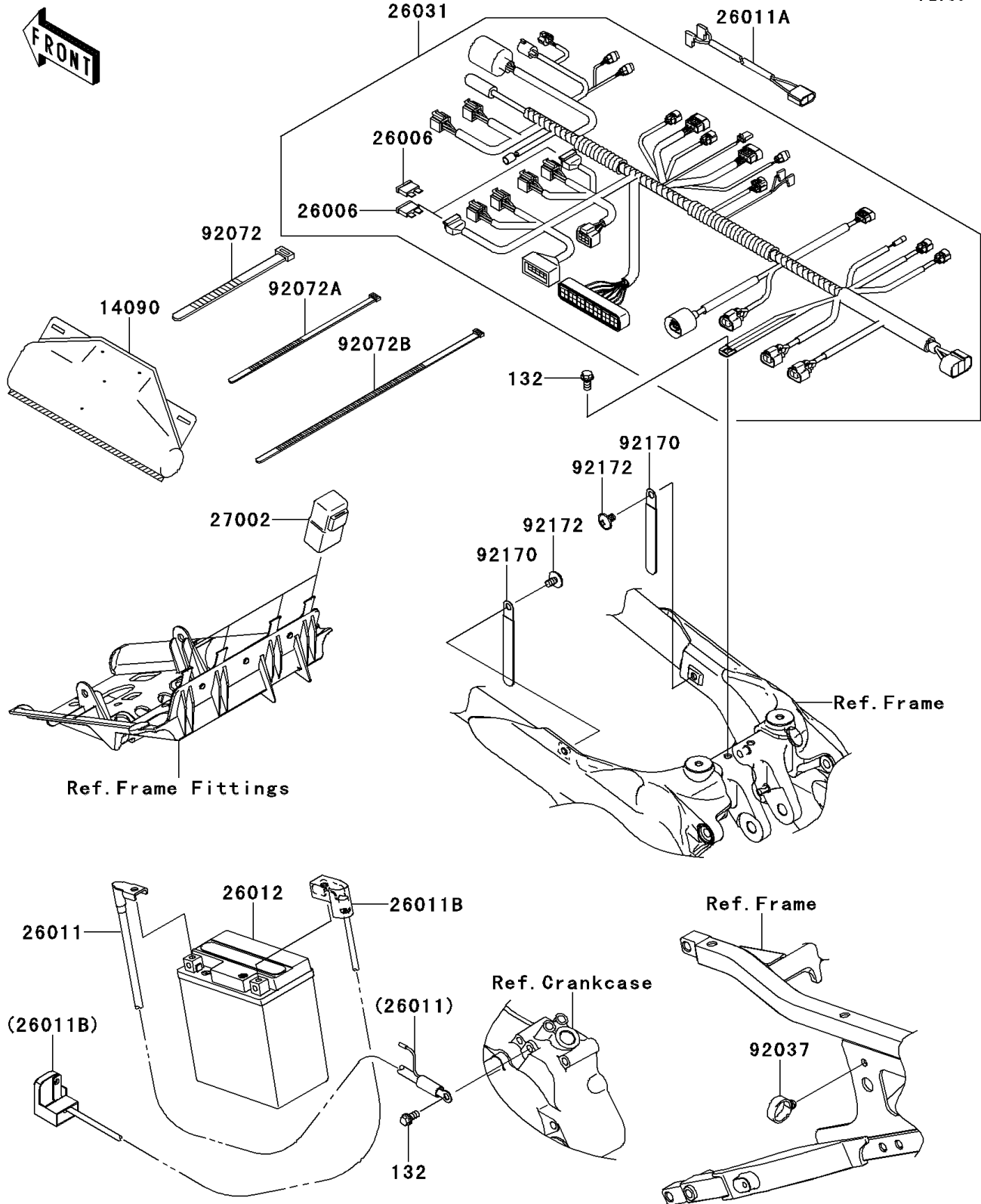


2011 KFX® 450R PARTS DIAGRAM

Chassis Electrical Equipment

F2760



2011 KFX® 450R PARTS LIST

Chassis Electrical Equipment

ITEM NAME	PART NUMBER	QUANTITY
BOLT-FLANGED-SMALL,6X12 (Ref # 132)	132BA0612	2
COVER,COUPLER (Ref # 14090)	14090-1611	2
FUSE,MINI BLADE,10A,RED (Ref # 26006)	26006-0009	4
WIRE-LEAD,BATTERY(-) (Ref # 26011)	26011-0098	1
WIRE-LEAD,FRONT BRAKE (Ref # 26011A)	26011-0119	1
WIRE-LEAD,BATTERY(+) (Ref # 26011B)	26011-0149	1
BATTERY,YTX7L-BS,12V 6AH (Ref # 26012)	26012-0084	1
HARNESS,MAIN (Ref # 26031)	26031-0969	1
RELAY-ASSY (Ref # 27002)	27002-1088	4
CLAMP,HOSE (Ref # 92037)	92037-1827	1
BAND,L=149 (Ref # 92072)	92072-031	2
BAND,L=188 (Ref # 92072A)	92072-1239	8
BAND,L=368.3 (Ref # 92072B)	92072-3872	6
CLAMP (Ref # 92170)	92170-1925	2
SCREW,6X10 (Ref # 92172)	92172-0005	2