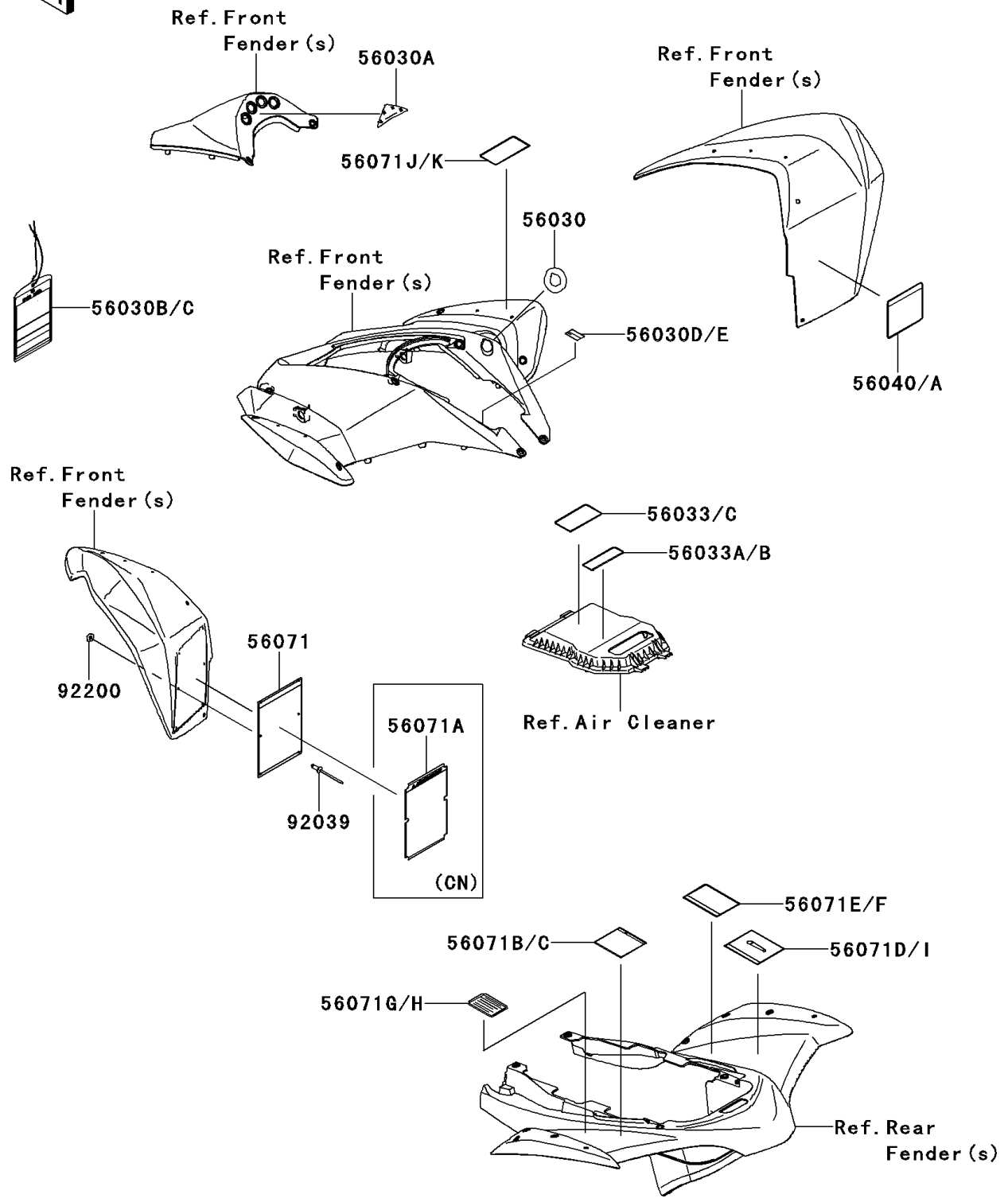


# 2012 KFX® 450R PARTS DIAGRAM

Labels

F2860



## 2012 KFX® 450R PARTS LIST

### Labels

ITEM NAME	PART NUMBER	QUANTITY
LABEL,IGNITION SWITCH (Ref # 56030)	56030-0014	1
LABEL (Ref # 56030A)	56030-0135	1
LABEL,HANGTAG (Ref # 56030B)	56030-0199	1
LABEL,GASOLINE (Ref # 56030D)	56030-0411	1
LABEL-MANUAL,AIR CLEANER (Ref # 56033)	56033-0064	1
LABEL-MANUAL,OIL ELEMENT INFO (Ref # 56033A)	56033-0241	1
LABEL-WARNING,UNDER 16 (Ref # 56040)	56040-1276	1
LABEL-WARNING,SERIOUS INJURY (Ref # 56071)	56071-0057	1
LABEL-WARNING,TIRE&MAX LOAD (Ref # 56071B)	56071-0086	1
LABEL-WARNING,CHAIN SLACK (Ref # 56071D)	56071-0089	1
LABEL-WARNING,OIL CHECK (Ref # 56071E)	56071-0091	1
LABEL-WARNING,NO PASSENGER (Ref # 56071H)	56071-0098	1
LABEL-WARNING,SHIFT CHANGE (Ref # 56071J)	56071-0182	1
RIVET,3.2X8 (Ref # 92039)	92039-3763	6
WASHER,3.5X8X1 (Ref # 92200)	92200-1251	6
LABEL,HANGTAG,FRN (Ref # 56030C)	56030-0202	1
LABEL,GASOLINE,FRN (Ref # 56030E)	56030-0412	1
LABEL-MANUAL,OIL ELEMENT INFO,FRN (Ref # 56033B)	56033-0242	1
LABEL-MANUAL,AIR CLEANER,FRN (Ref # 56033C)	56033-0308	1
LABEL-WARNING,AGE,FRN (Ref # 56040A)	56040-1325	1
LABEL-WARNING,GENERAL,FRN (Ref # 56071A)	56071-0059	1
LABEL-WARNING,TIRE&MAX LOAD,FRN (Ref # 56071C)	56071-0087	1
LABEL-WARNING,OIL CHECK,FRN (Ref # 56071F)	56071-0093	1
LABEL-WARNING,NO PASSENGER,FRN (Ref # 56071G)	56071-0097	1
LABEL-WARNING,CHAIN SLACK,FRN (Ref # 56071I)	56071-0121	1
LABEL-WARNING,SHIFT CHANGE,FRN (Ref # 56071K)	56071-0183	1