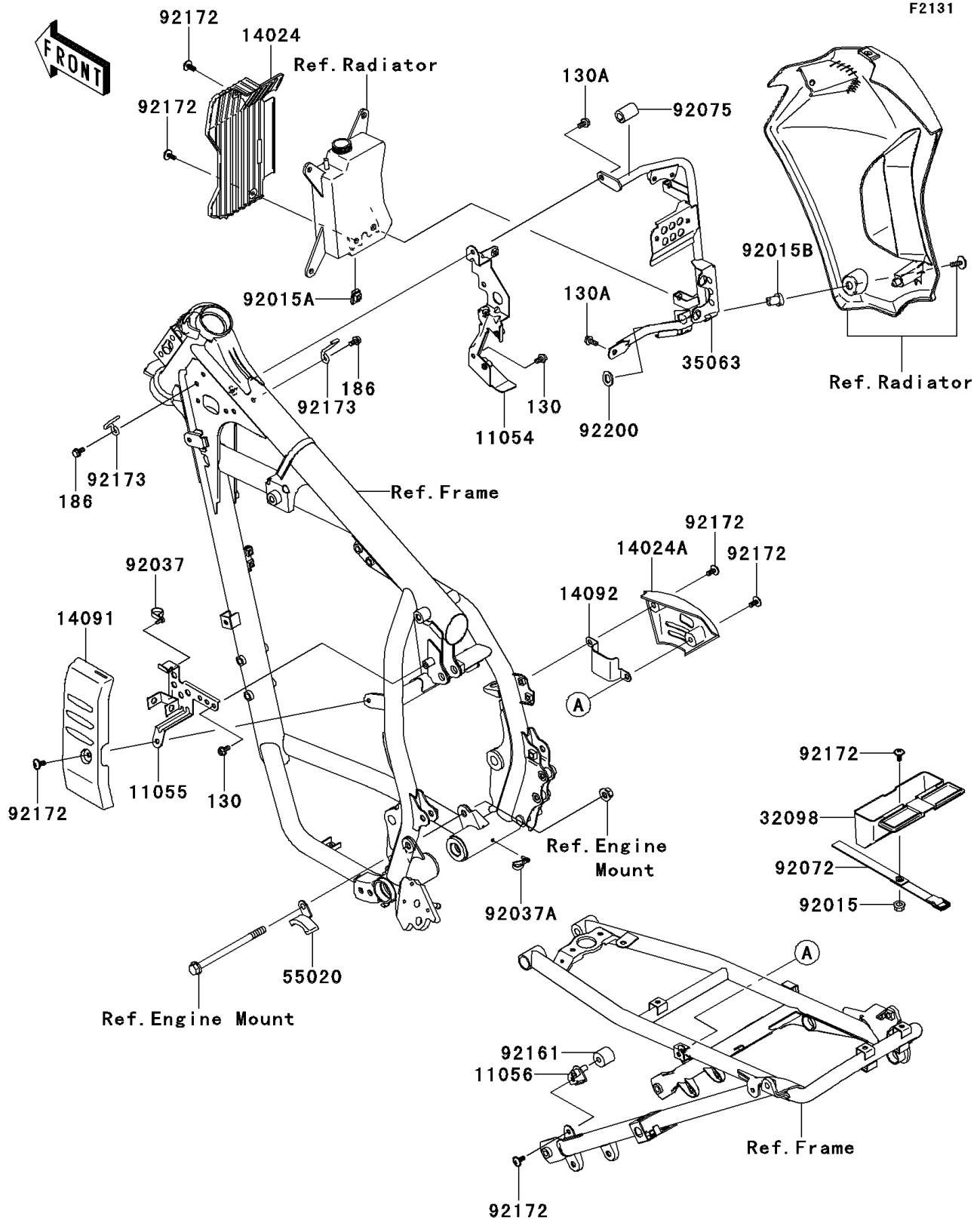


# 2011 KLR™ 650 PARTS DIAGRAM

## Frame Fittings



## 2011 KLR™ 650 PARTS LIST

### Frame Fittings

ITEM NAME	PART NUMBER	QUANTITY
BOLT-FLANGED,6X10 (Ref # 130)	130BB0610	2
BOLT-FLANGED,6X14 (Ref # 130A)	130BB0614	2
BOLT-UPSET-WP,6X14 (Ref # 186)	186AA0614	2
BRACKET,ELECTRIC (Ref # 11054)	11054-0400	1
BRACKET,STARTER RELAY (Ref # 11055)	11055-0291	1
BRACKET (Ref # 11056)	11056-0137	1
COVER,FRONT RESERVOIR (Ref # 14024)	14024-1372	1
COVER,RESERVOIR TANK (Ref # 14024A)	14024-1470	1
COVER,STARTER RELAY (Ref # 14091)	14091-0591	1
COVER (Ref # 14092)	14092-0134	1
CASE-TOOL,F.BLACK (Ref # 32098)	32098-0014-6Z	1
STAY,HORN&RESERVE (Ref # 35063)	35063-0702	1
GUARD,CHAIN (Ref # 55020)	55020-1266	1
NUT,FLANGED,6MM,BLACK (Ref # 92015)	92015-1233	1
NUT,6MM (Ref # 92015A)	92015-1602	1
NUT,RUBBER,6MM (Ref # 92015B)	92015-1692	1
CLAMP,SPEED,L=58 (Ref # 92037)	92037-1163	1
CLAMP,SPEED,L=80.5 (Ref # 92037A)	92037-1903	1
BAND,TOOL CASE (Ref # 92072)	92072-1219	1
DAMPER (Ref # 92075)	92075-1941	1
DAMPER (Ref # 92161)	92161-0510	1
SCREW,6X14 (Ref # 92172)	92172-0004	7
CLAMP (Ref # 92173)	92173-0211	2
WASHER,13X23X2 (Ref # 92200)	92200-0389	1