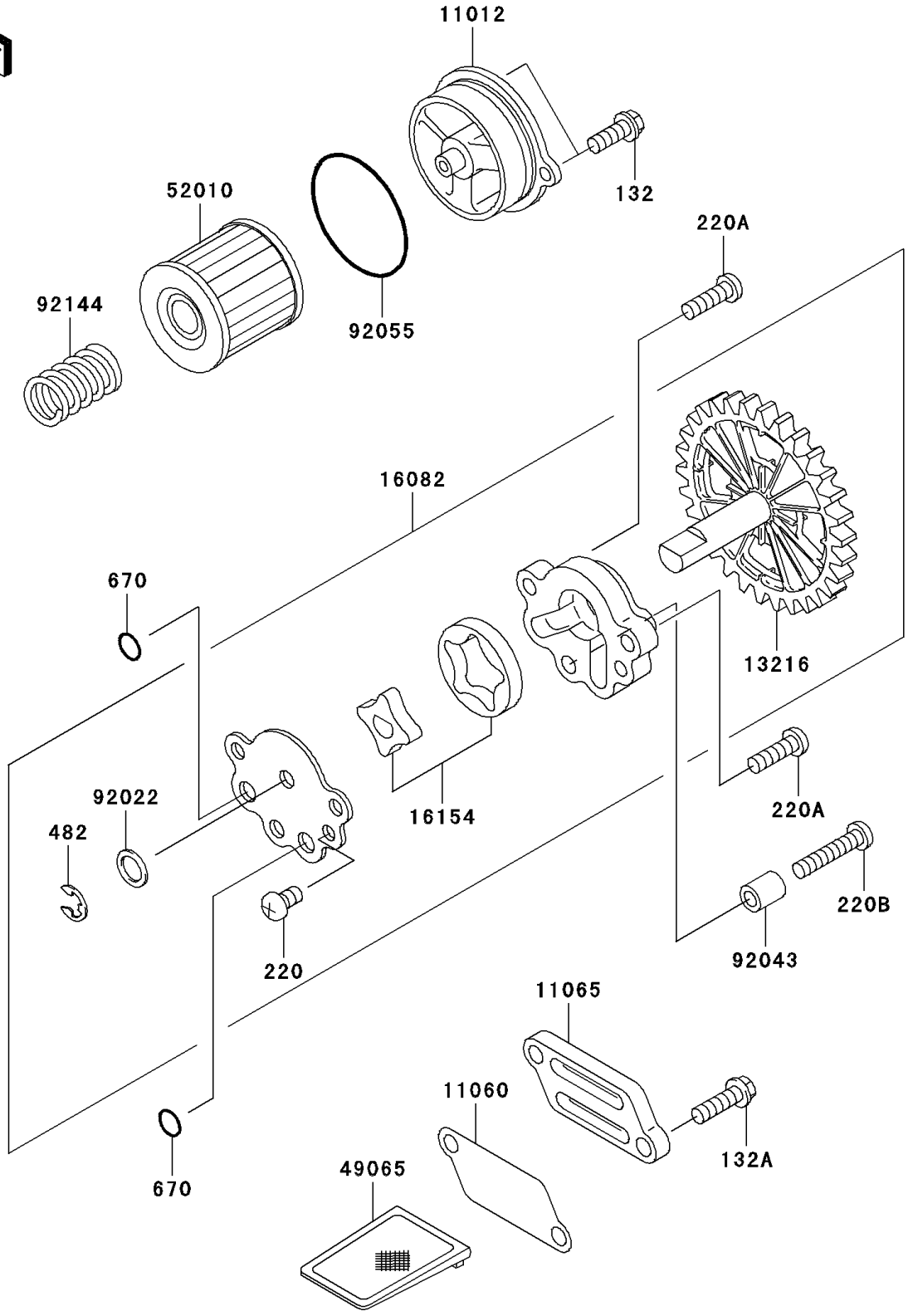


# 2006 Eliminator 125 PARTS DIAGRAM

Oil Pump/Oil Filter

E1710



# 2006 Eliminator 125 PARTS LIST

Oil Pump/Oil Filter

ITEM NAME	PART NUMBER	QUANTITY
-----------	-------------	----------